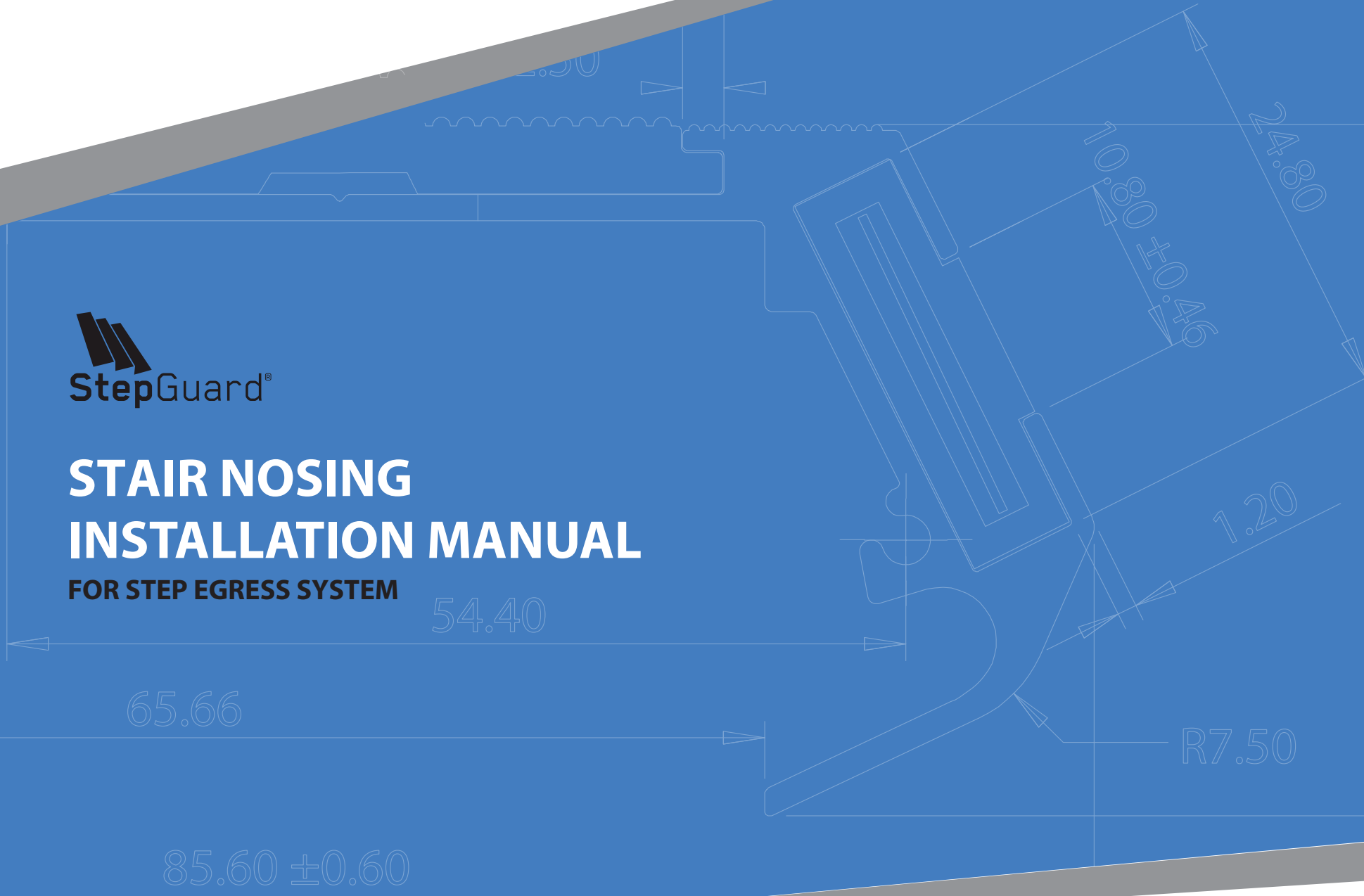




# STAIR NOSING INSTALLATION MANUAL

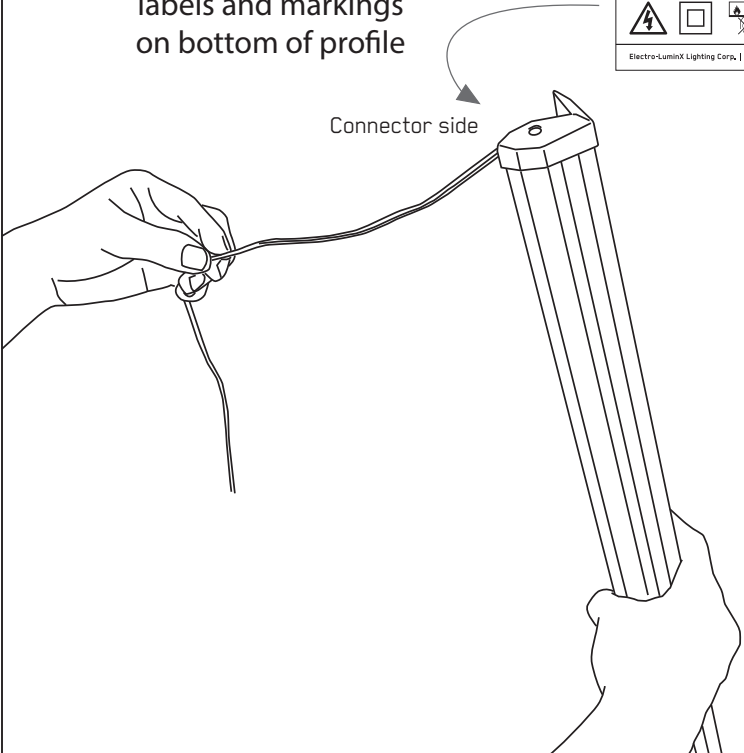
FOR STEP EGRESS SYSTEM



## PREPARATION

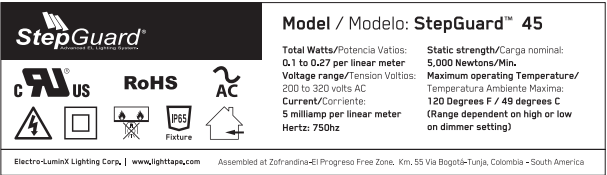
After unpacking, check each step for a label that includes specific details: Project name and location, auditorium number, final size in mm, and Light Tape® color. Ensure the connector is positioned on the correct side. The unit arrives fully assembled, except for the anti-slip insert, which should only be installed after securing the step to the floor with screws.

labels and markings  
on bottom of profile



Connector side

### 1. Security label (Printed on Tamper evident paper revealing if removed)




**Model / Modelo: StepGuard™ 45**

Total Watts/Potencia Vatios: 0.1 to 0.27 per linear meter	Static strength/Carga nominal: 5,000 Newtons/Min.
Voltage range/Tension Voltios: 200 to 320 volts AC	Maximum operating Temperature/ Temperatura Ambiente Maxima: 120 Degrees F / 49 degrees C (Range dependent on high or low on dimmer setting)
Current/Corriente: 5 millamp per linear meter	
Hertz: 750hz	

Electro-LuminX Lighting Corp. | www.lighttapes.com Assembled at Zofrandina-El Progresso Free Zone. Km. 55 Via Bogotá-Tunja, Colombia - South America

### 3. Project and Product Detail




**Name of Project**

<b>AUD No.</b>	<b>SIZE mm</b>	<b>COLOR</b>
----------------	----------------	--------------


### 3. International Bar Code

**STEPGUARD 45**



7 709199 417486

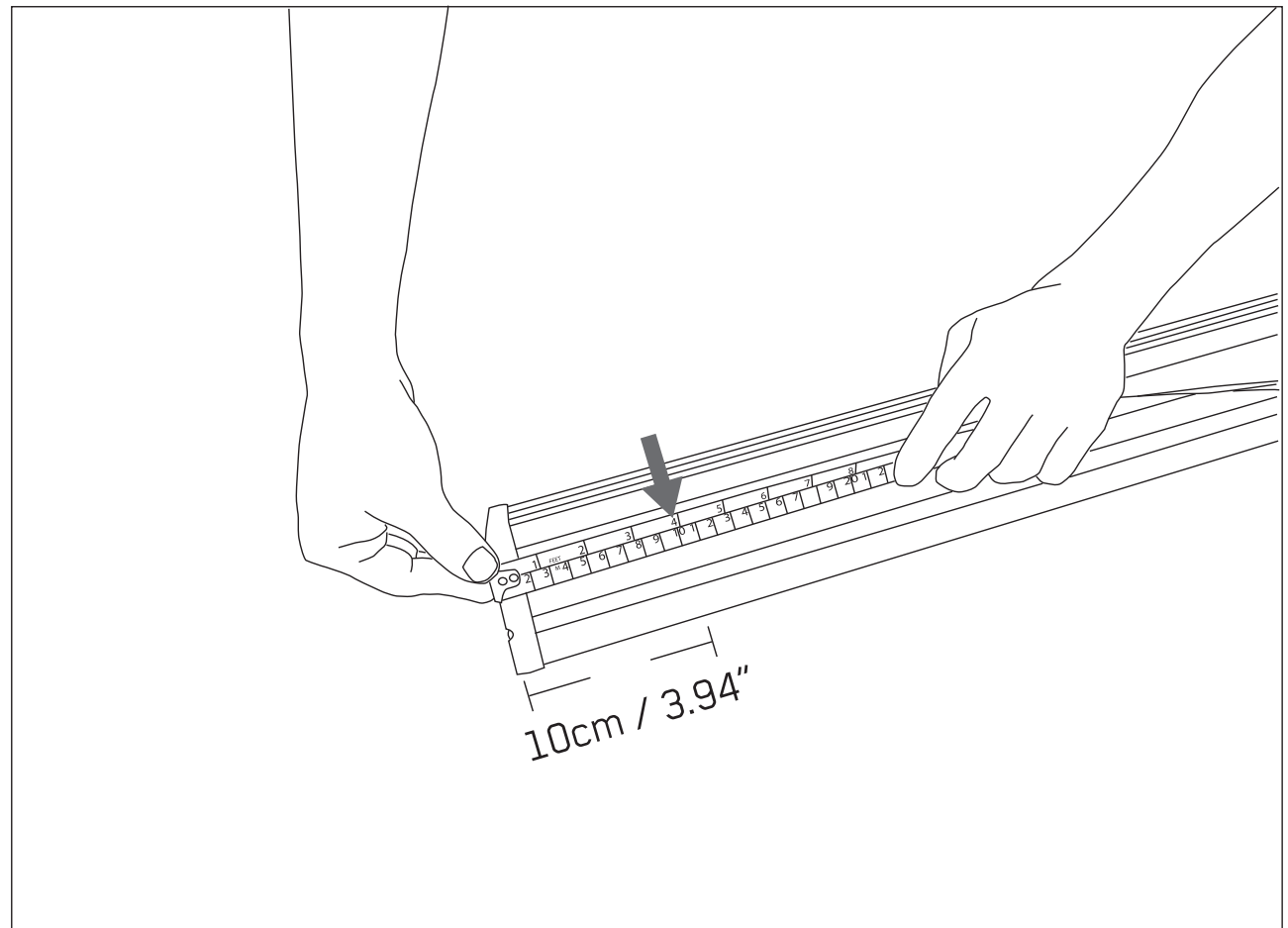
### 2. LightTape™ Hologram



## PREPARATION

Start by measuring and marking the holes on the profile. It's recommended to keep a maximum distance of 10cm between holes on the sides, and distribute the remaining holes evenly across the profile.

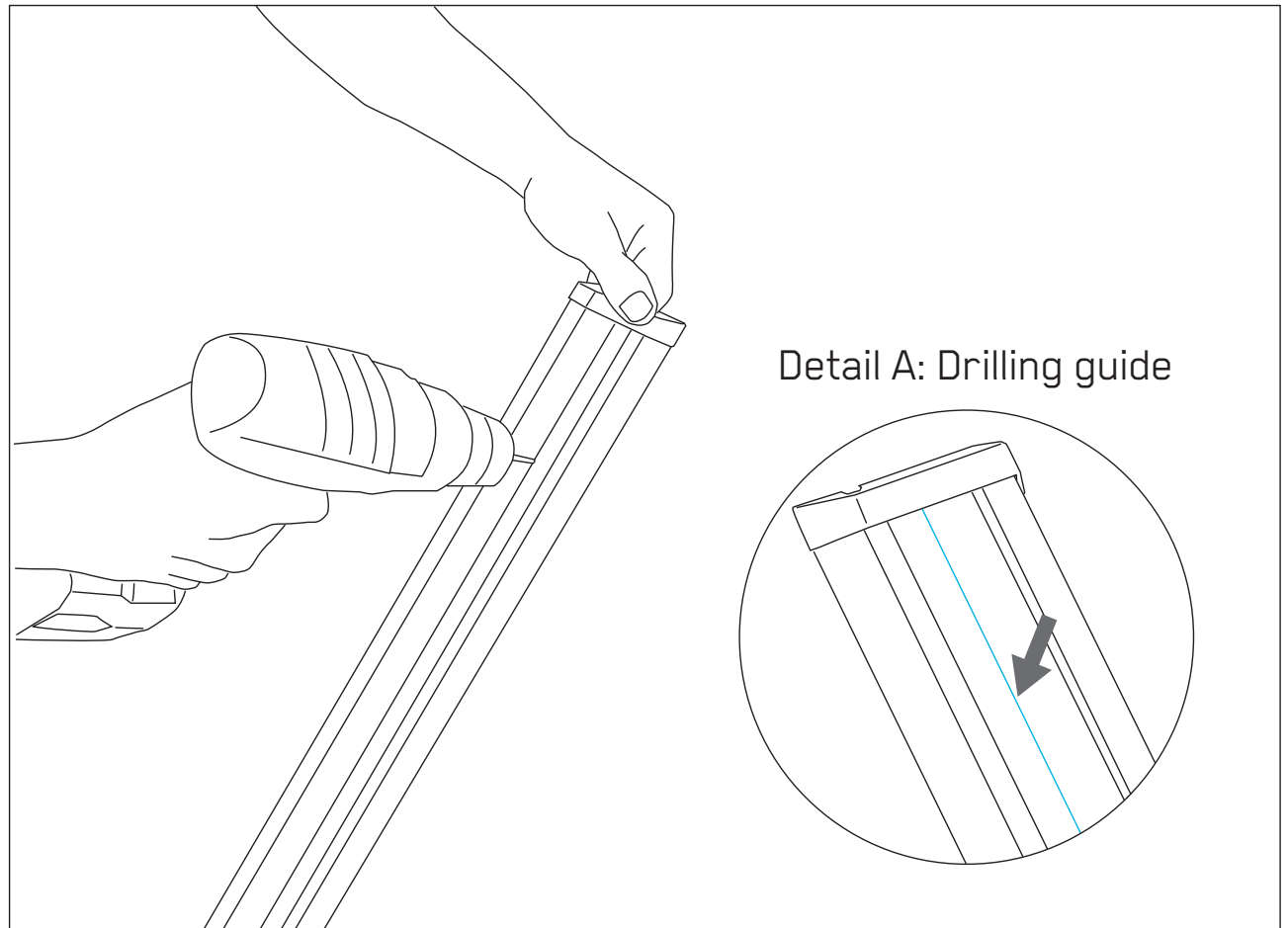
**IMPORTANT:** There should be a minimum of 4 screws per meter to ensure a secure attachment to the surface.



# 1

## PREPARATION

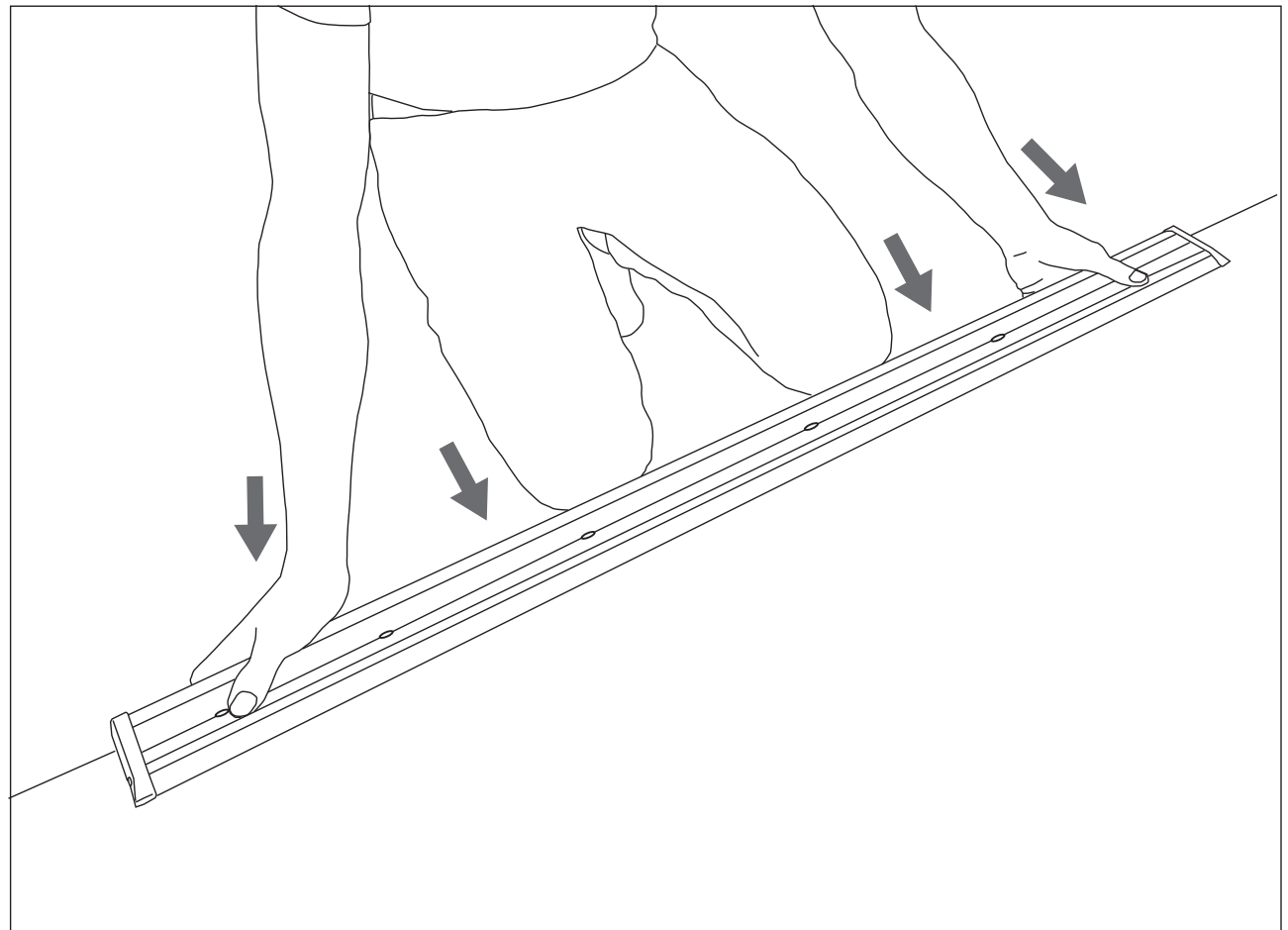
After marking the spots on the profile, use a metal drill to create holes as indicated. Make sure to follow Detail A and use the drilling guide for accurate placement. The underside of the anti-slip insert features a cutout designed specifically to accommodate the screw heads in this area. This prevents any bumps on the surface caused by protruding screw heads, ensuring a smooth finish.



# 2

## INSTALLATION

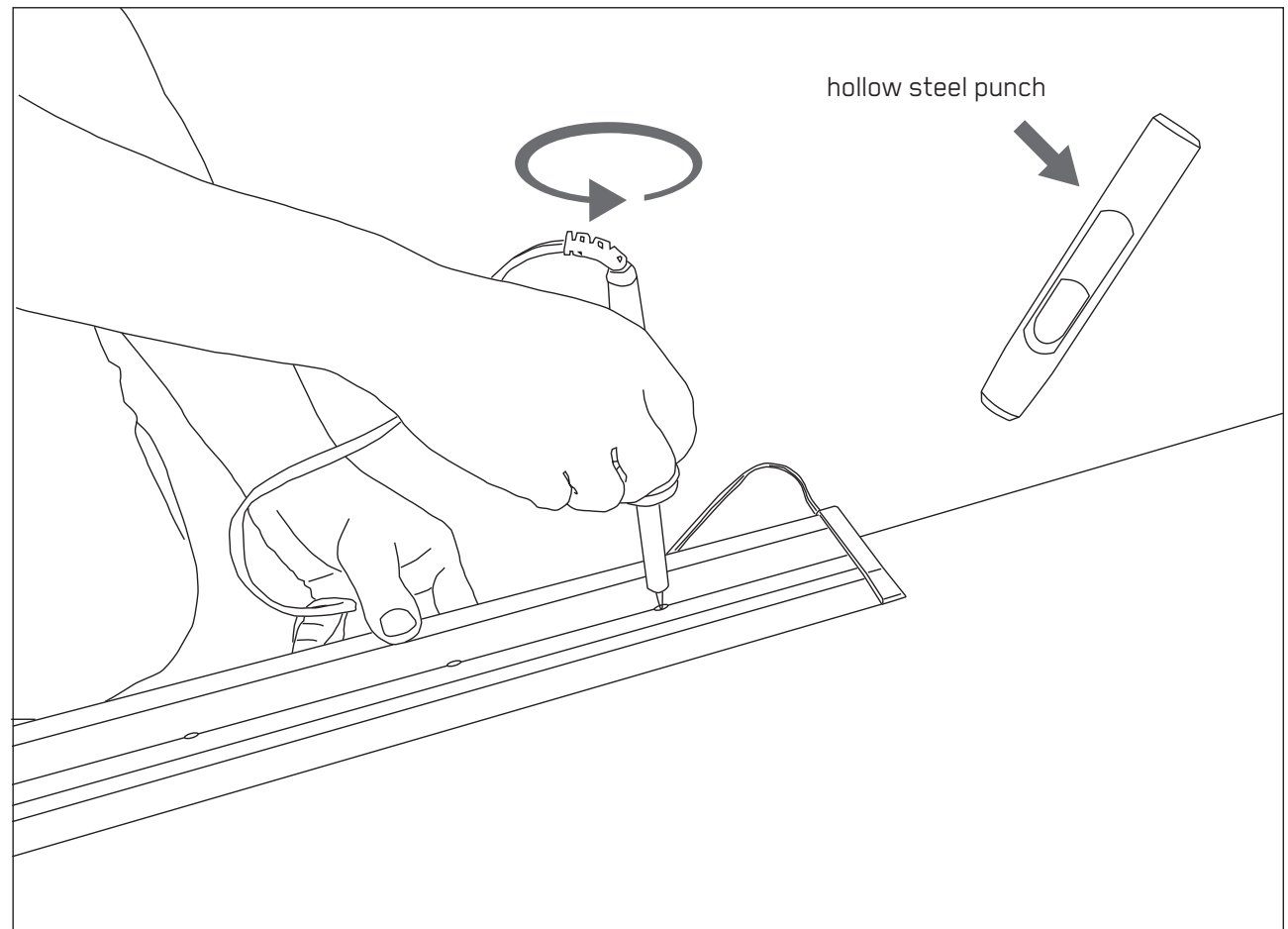
Position the profile where it needs to be and press it against the stair firmly using both hands and knees. Ensure the drilling holes are as far away from the corner of the step as possible. You may need to drill at a slight angle for best results. Confirm that the profile is securely in its final position before proceeding.



# 3

## INSTALLATION

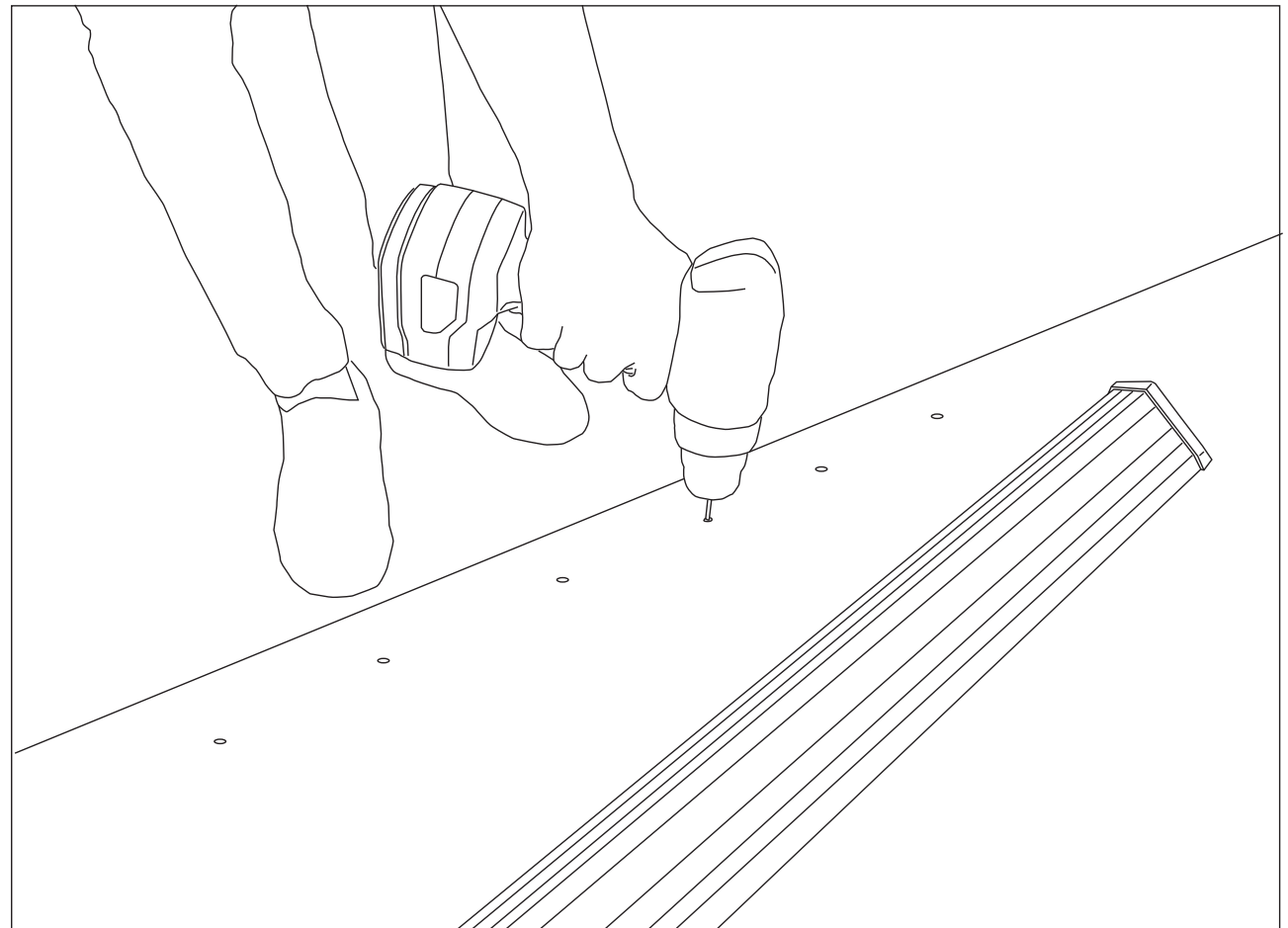
Use your knees to hold the profile in place. Mark the holes drilled in the profile onto the carpet, then use a hollow steel punch or gasket punch as shown. This method allows you to prepare for drilling into the concrete without damaging the carpet. If preserving the carpet isn't a concern, you can directly mark and drill through the carpet into the concrete, bypassing this step.



# 4

## INSTALLATION

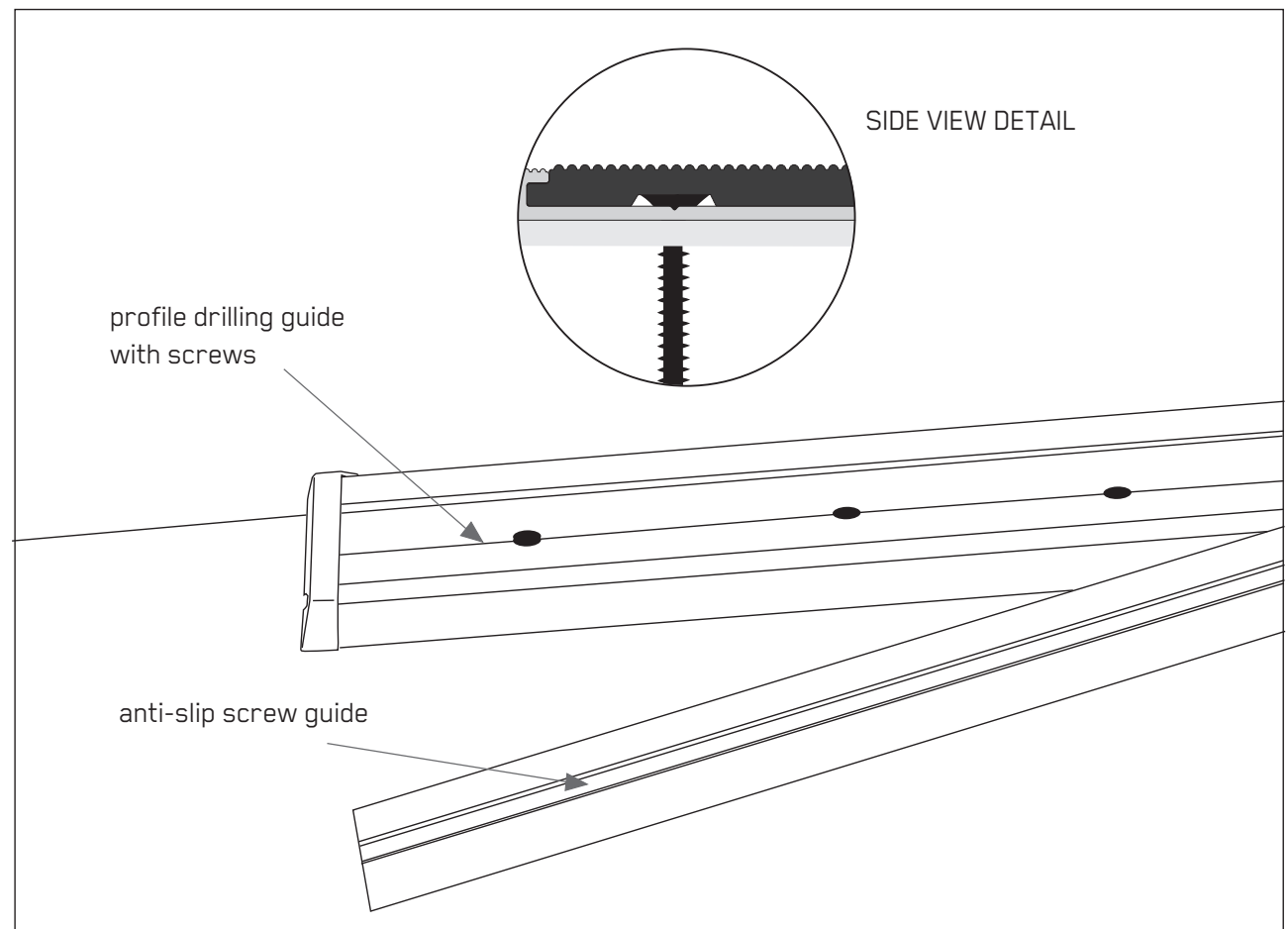
To finish, drill the holes into the concrete or surface and insert your screw anchors using a hammer. Align the profile with the stair nosing and securely screw it into place.



# 5

## INSTALLATION

Make sure you place the anti-slip in the correct position matching the screw guide of both parts. Now you can begin sliding the anti-slip as explained in the next step.



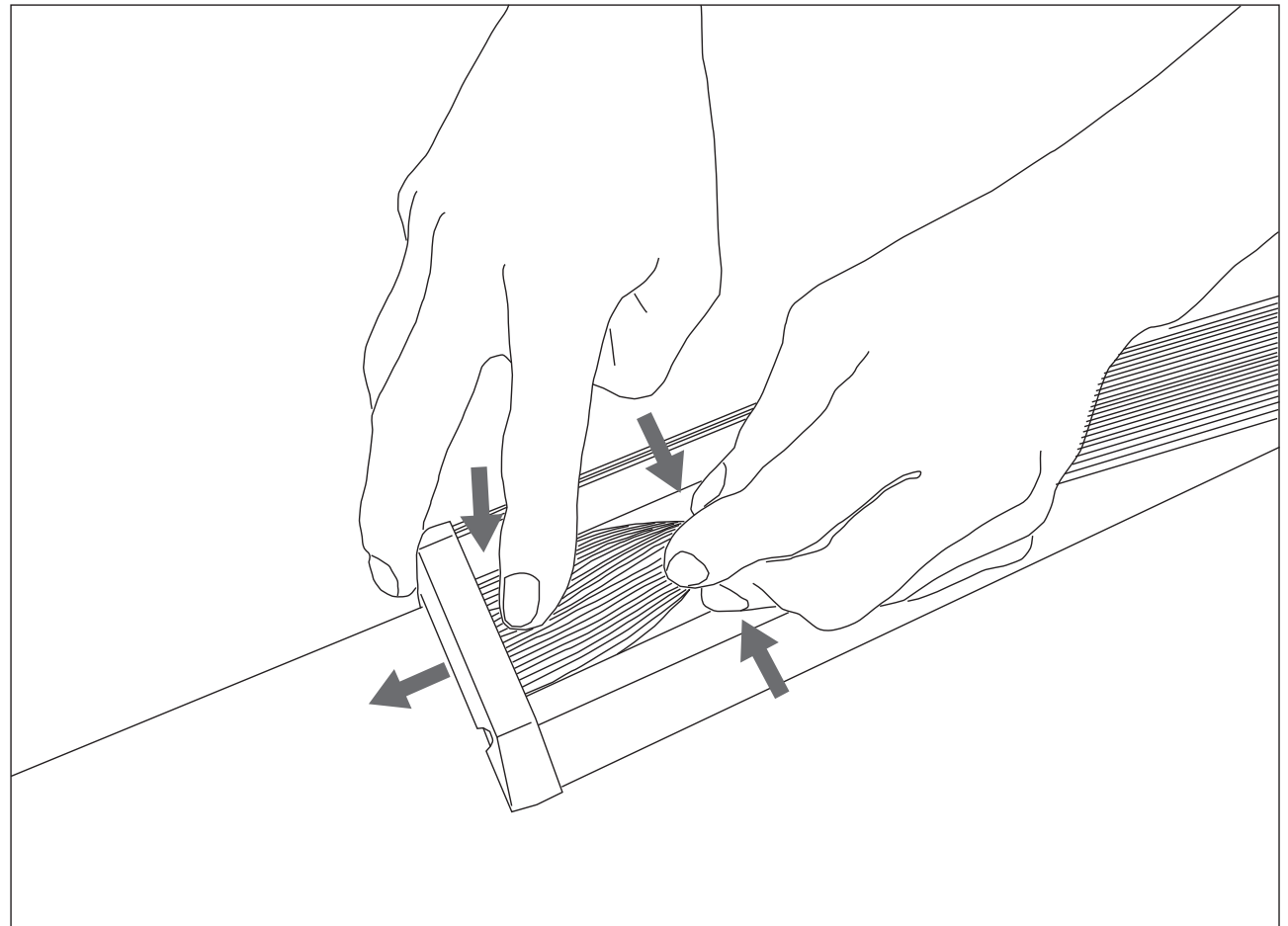
# 6



## INSTALLATION

To install the anti-slip, start by inserting one end underneath the end cap while gently squeezing the sides. Slowly work the rubber anti-slip into position along the edge gaps, ensuring it covers the screw heads.

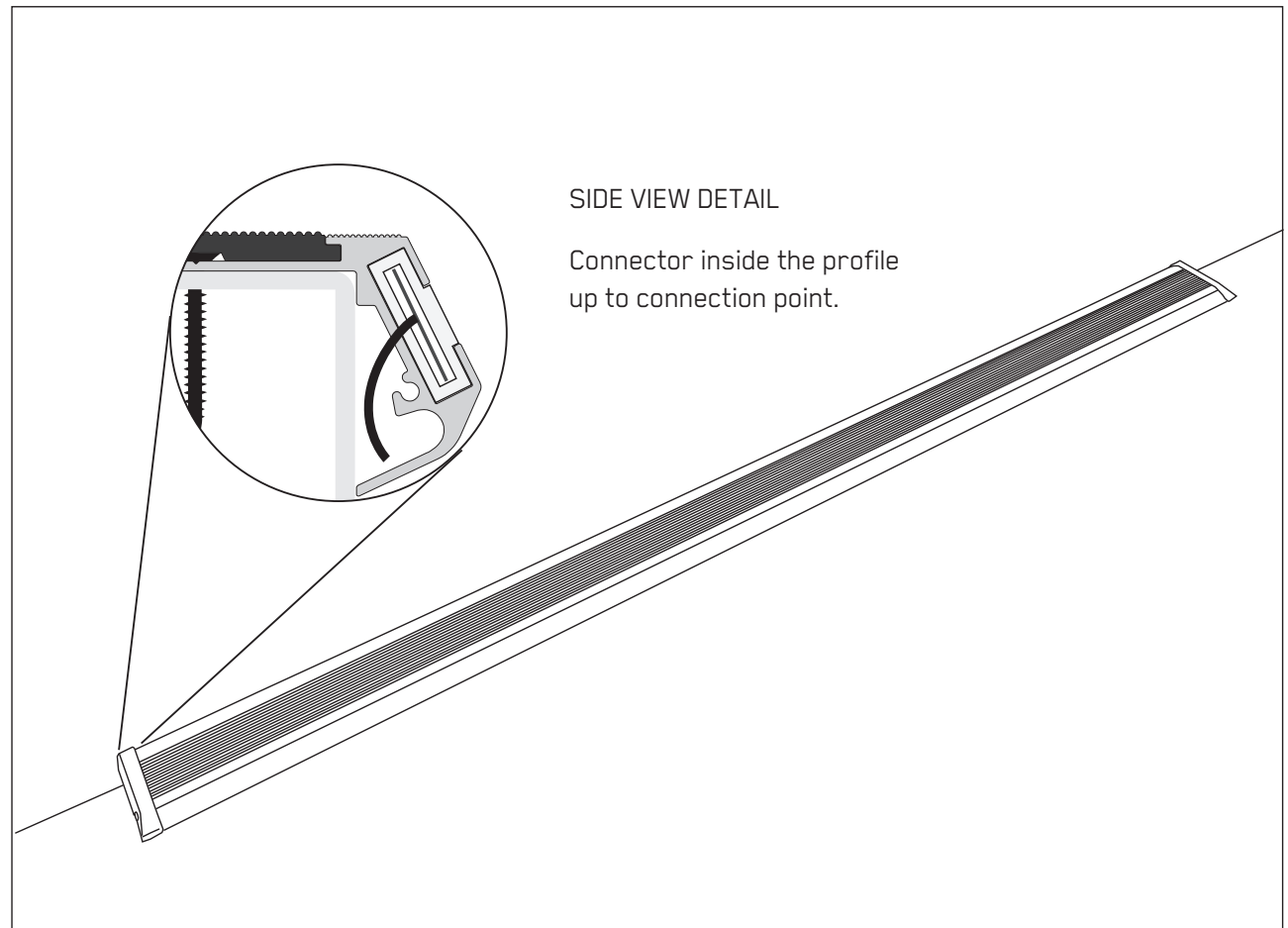
When you reach the other side, trim any excess material, leaving about 1cm to 2cm extra to fit under the opposite cap. This ensures a secure fit across the entire length.



# 7

## INSTALLATION

After installing the unit, perform a thorough quality check by stepping on both the center and sides of the profile to ensure it is securely installed. Verify that the connector is concealed inside the profile as shown in the detail below, and ensure there are no loose parts. This ensures everything is properly secured and in place.



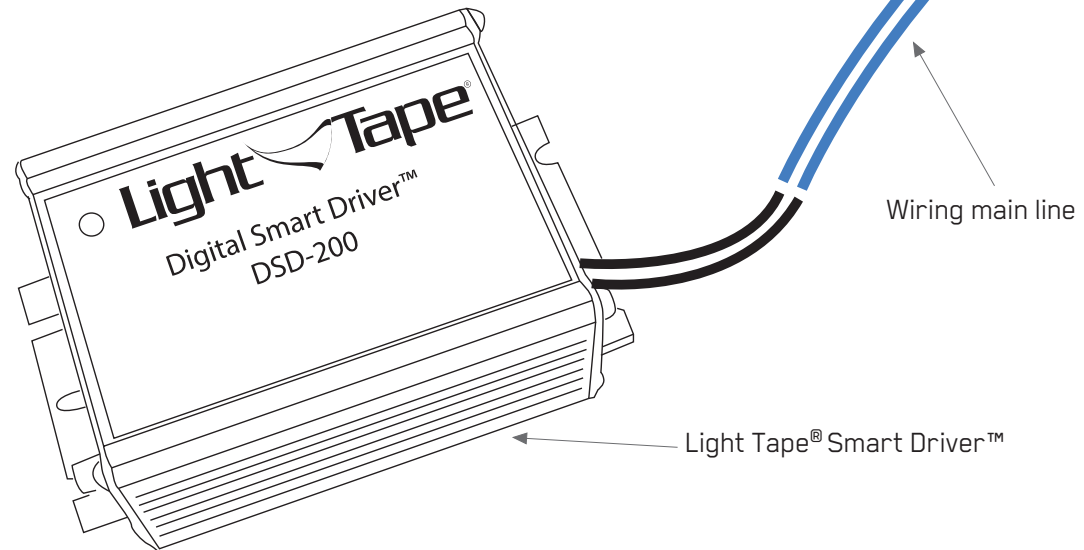
# 8

## WIRING

The Digital Smart Driver™ is required to power the Light Tape®. Please make sure you are using the properly sized Driver and that is within the illumination range. Drivers work on load and not number of steps or distance.

The driver comes with a dimming button and it should be turned to minimum before powering. Once turned on, you can adjust dimmer slowly to desire brightness. We recommend low level as driver can be increased as lamps age.

NOTE: Light Tape® has no polarity. Please check wiring for shorts before powering, short circuit protection will not work on start-up, but will after system is in operation and in protection mode.



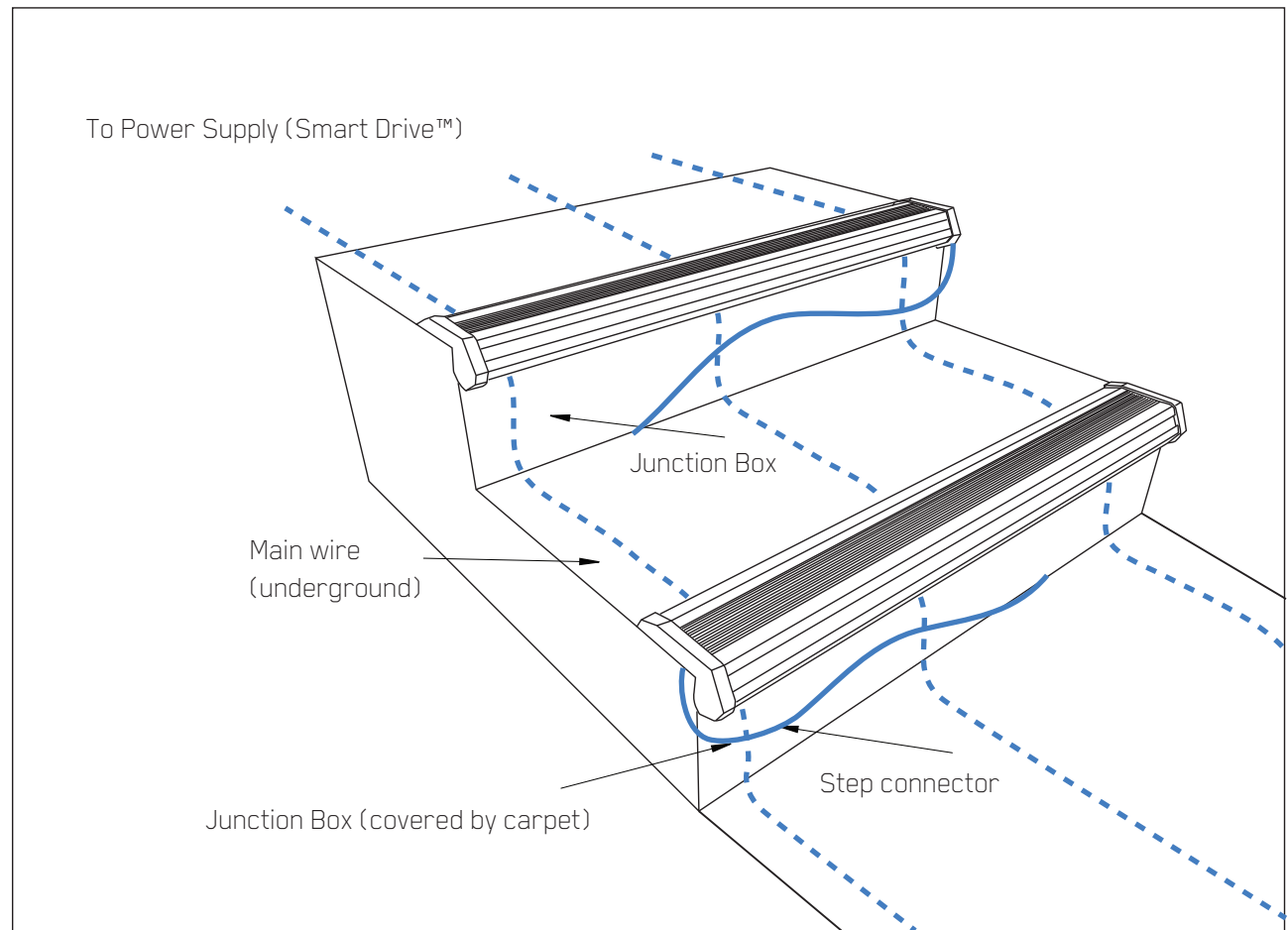
CAUTION: Never turn on power supply without output to lights until fully loaded or within load range. Under-loading powers supply can cause it fail. The DSD200 model can handle small loads for testing.

# 9

The StepGuard™ step system's connector is pre-wired to the requested side during assembly at the factory, based on customer preference for left or right side connection. However, the main wire can be routed through either side or the center of the step rows.

## WIRING

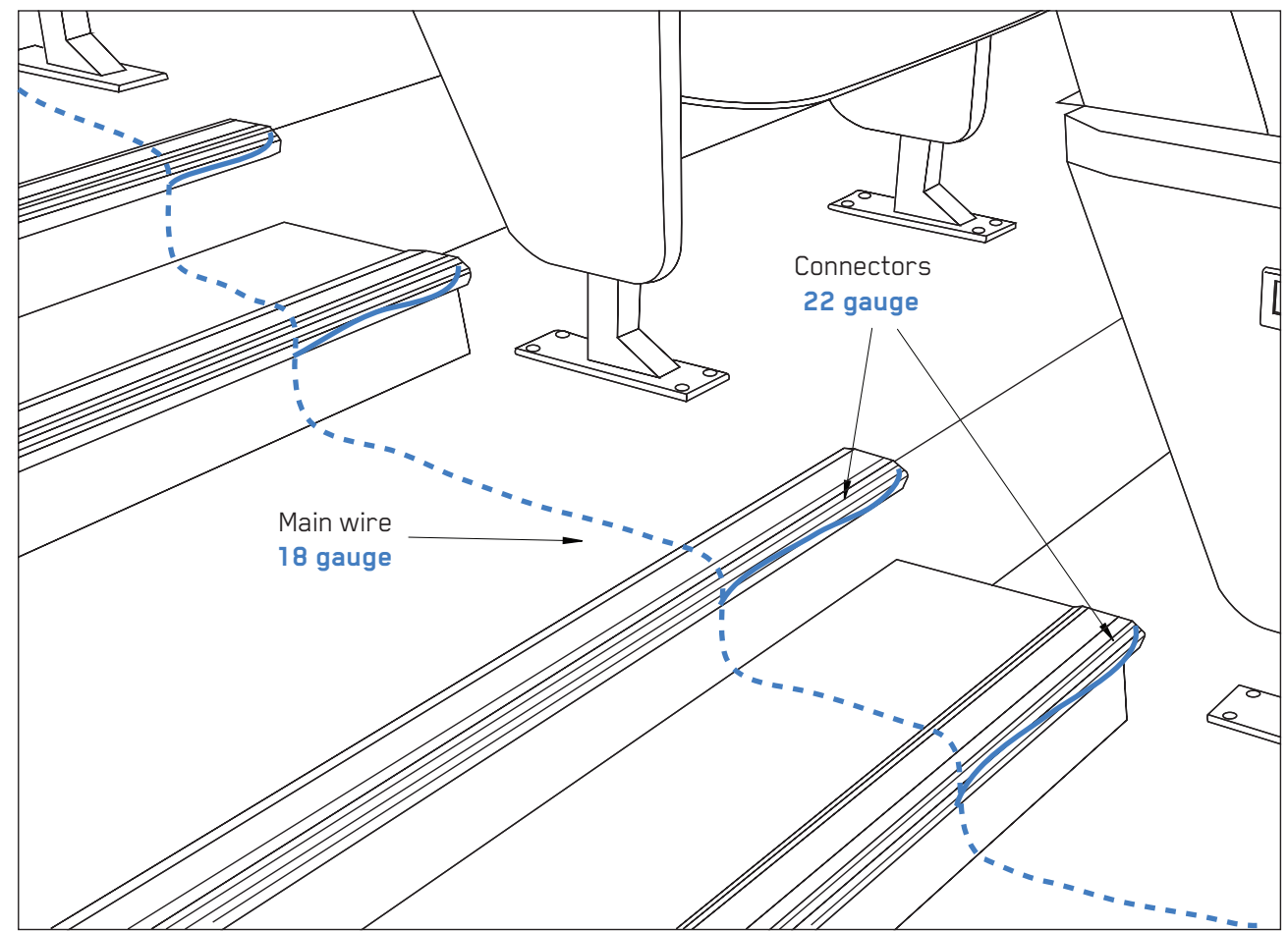
If the step connector ends up on the wrong side and there isn't enough cable to reach it, you can simply add more cable to the connector. This adjustment is recommended to avoid having to disassemble the unit and change the connector side.



# 10

## WIRING

The StepGuard™ connectors are supplied with 2x22 gauge cables. For the main wiring, we recommend using an 18 gauge cable. **Follow all electrical codes when wiring and connecting.**



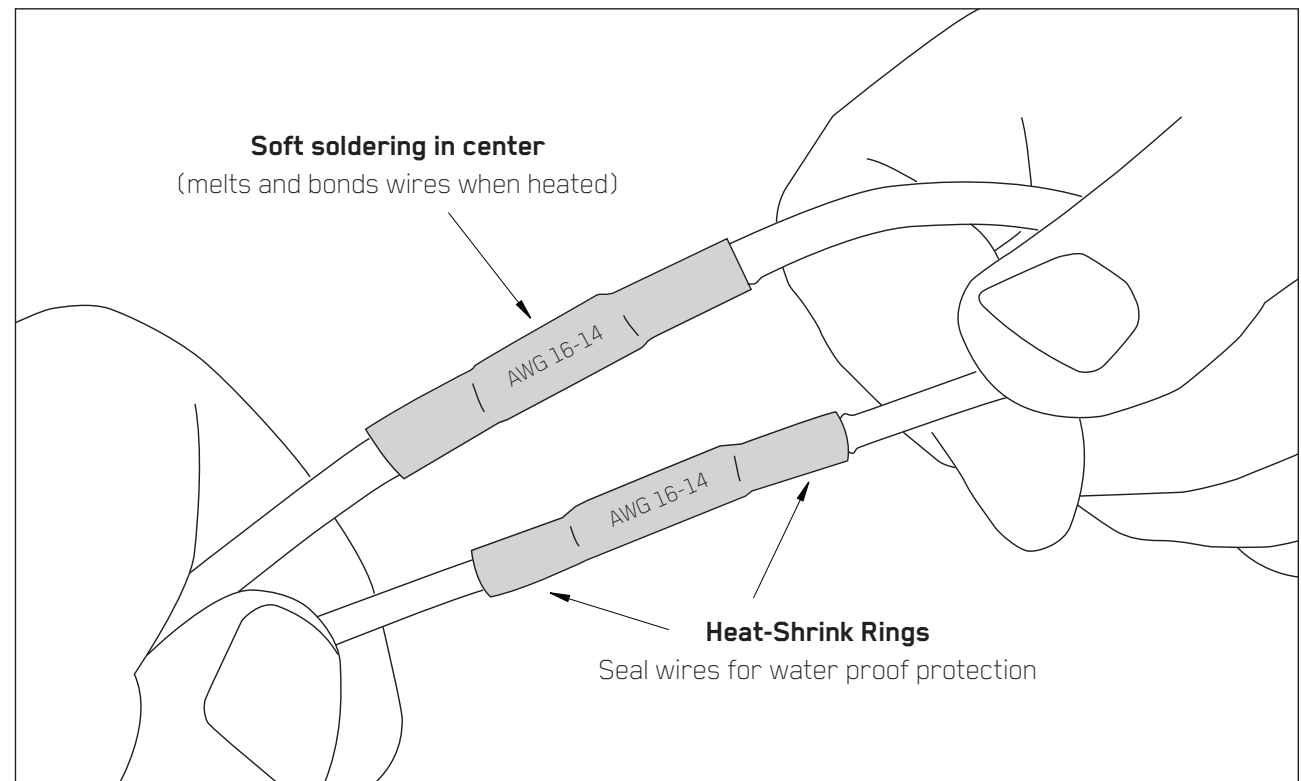
# 11

## WIRING

### IMPORTANT INFORMATION WHEN WIRING PROFILE LEADS TO MAIN LINE:

Always use Heat Shrink Tubing Thin Wall, 2:1 Shrink Ratio or 16-14 AWG Clear Seal Heat-Shrink Butt Splice Terminal to seal connections between profile lead and your main wiring (shown below). **Electrical tape is not recommended as it may wear or begin to lose adhesion over time exposing wires.**

#### 16-14 AWG Clear Seal



# 12



**StepGuard**<sup>®</sup>

with



Light**Tape**<sup>®</sup>  
INSIDE

© Copyright 2024 All Rights Reserved.  
Light Tape<sup>®</sup> is made in USA by Electro-LuminX<sup>®</sup> Lighting Corporation.  
**StepGuard**<sup>™</sup> is a registered trade mark

Manual designed exclusively for StepGuard<sup>™</sup> Stair Nosing Systems