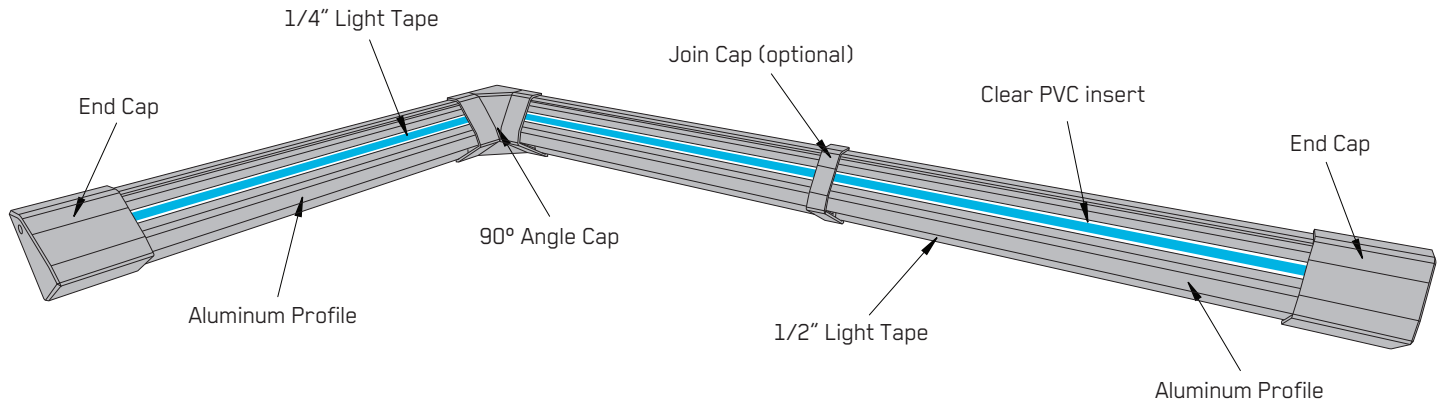


**WALL GUIDE
INSTALLATION INFO**



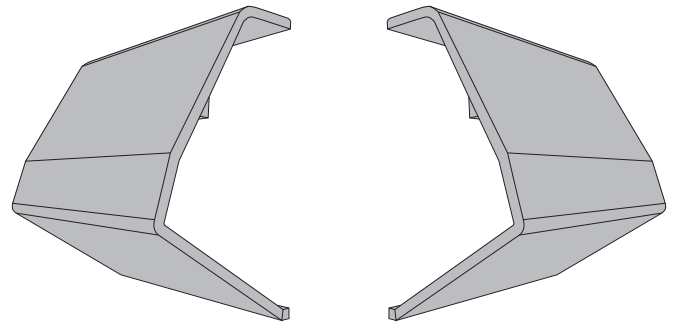
The WallGuide(tm) Part description



Mounting & Wiring Accesories

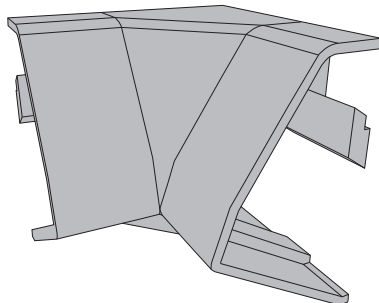
End caps

The end caps made of PLA plastic are use to finish the end of a segment. The end caps also hold the connection point on either side. Caps are open on the back, making wiring and connection very easy



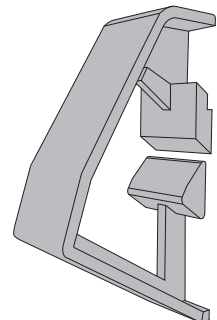
90° angle cap

90 degree angle caps are used as a connection point and to join two segments in a 90 degree inner angle.



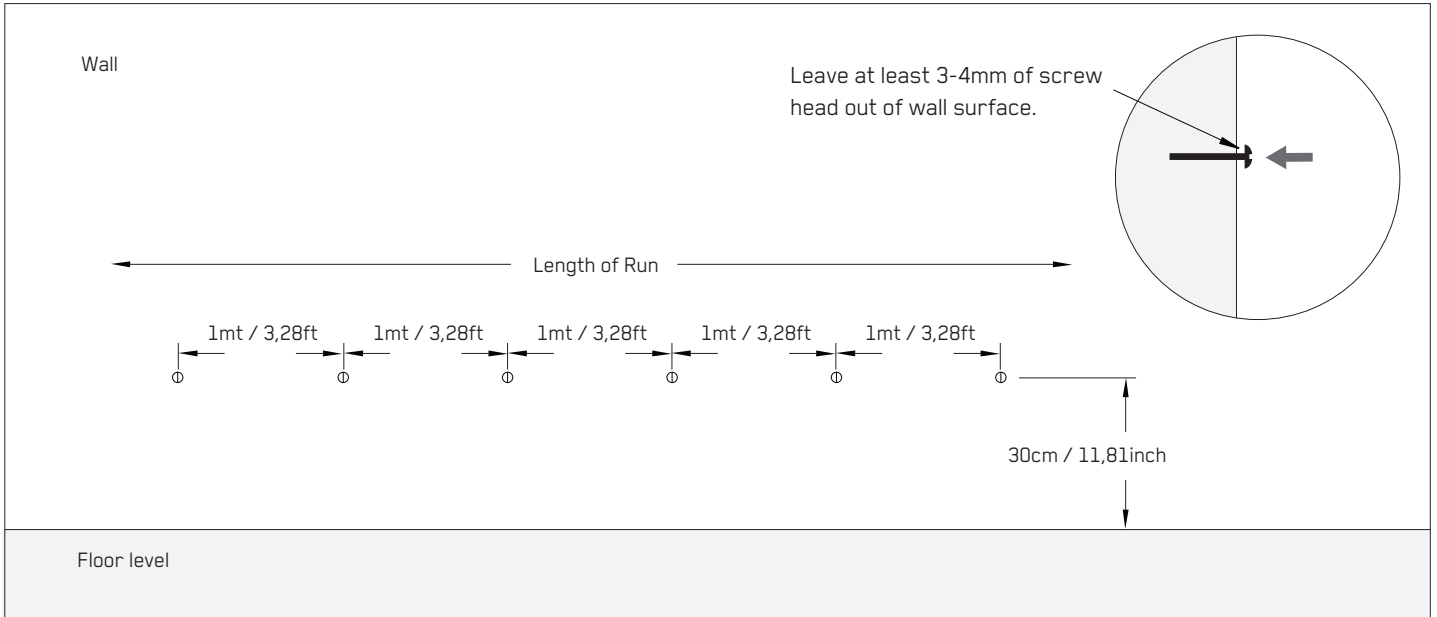
Join cap

Join caps are used to join two segments of the aluminum profiles to hide the edge cuts. Join caps allow light and insert to pass through both segments.



Quick Start Guide

1.



Once length of run is set, mark and drill holes at 30cm/11,81 inch above floor level with a minimum distance of 1 m / 3,28ft between them, covering the entire length of the run.

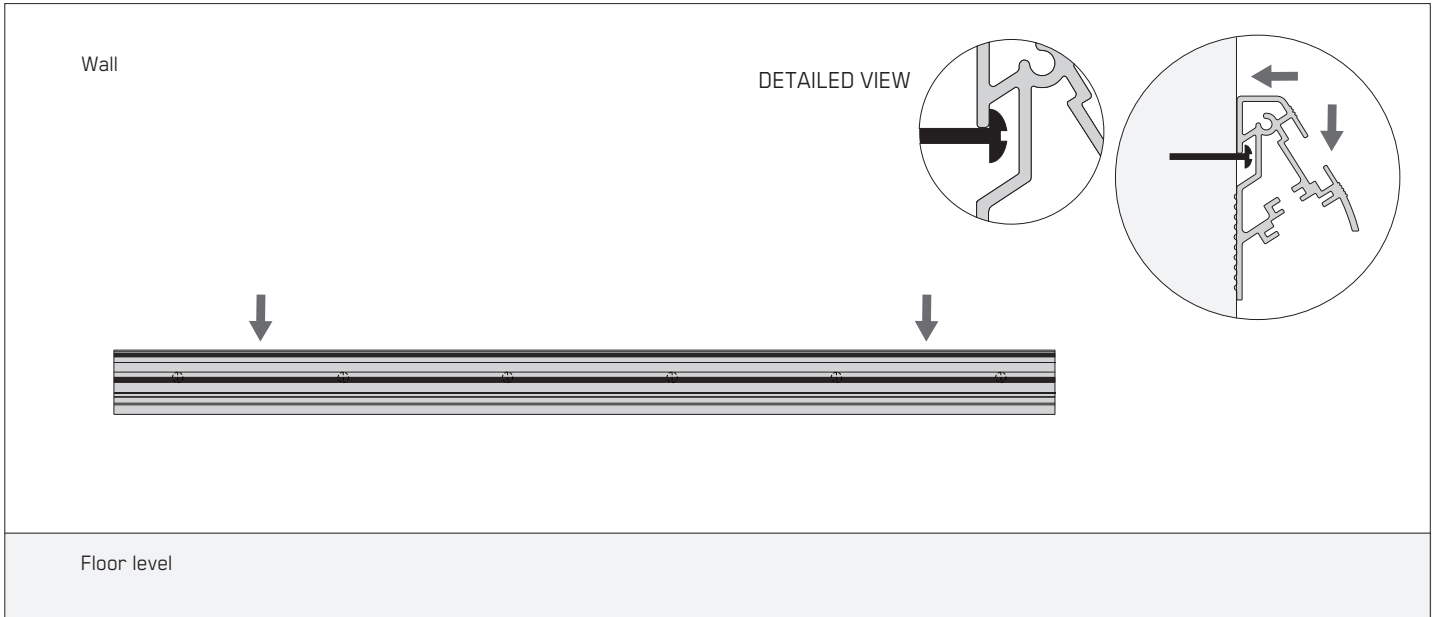
2.



Take the aluminum profile and push it against the wall aligning the screws with the mounting cavity as shown.

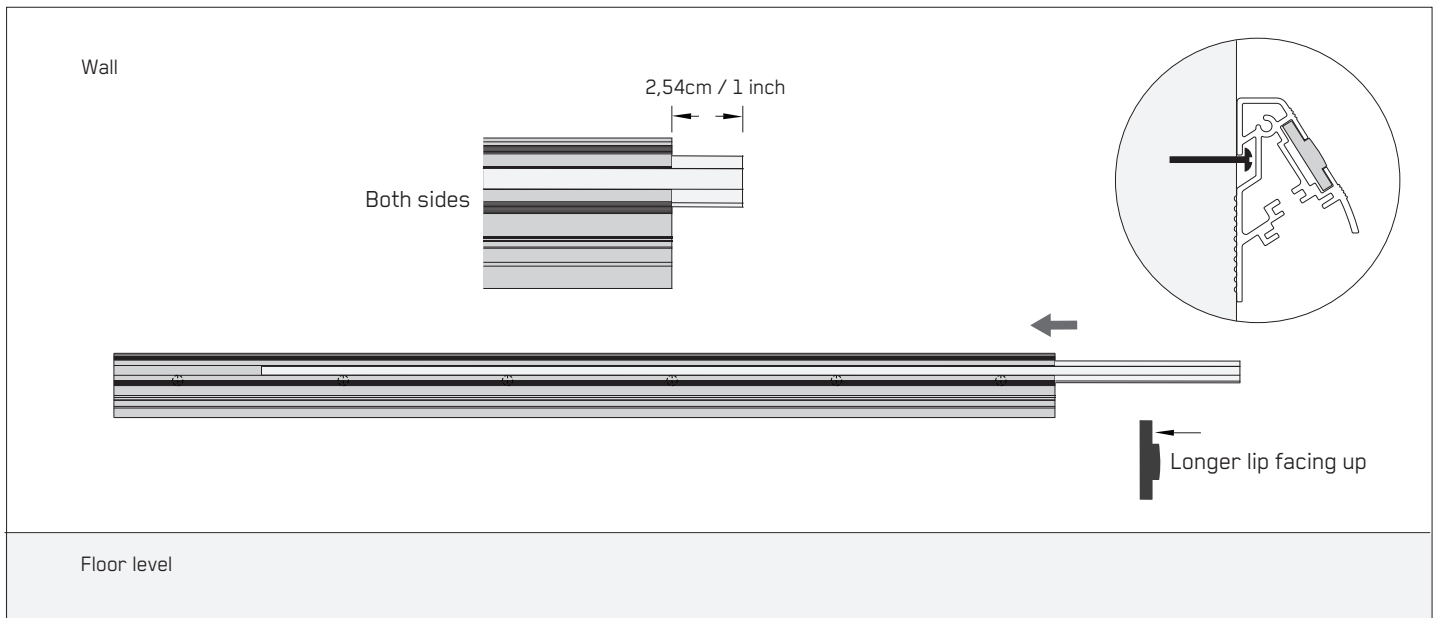
Quick Start Guide

3.



While pushing the profile, pull it down so it will rest on mounting cavity as shown. Push it against you to make sure it is properly resting on screws.

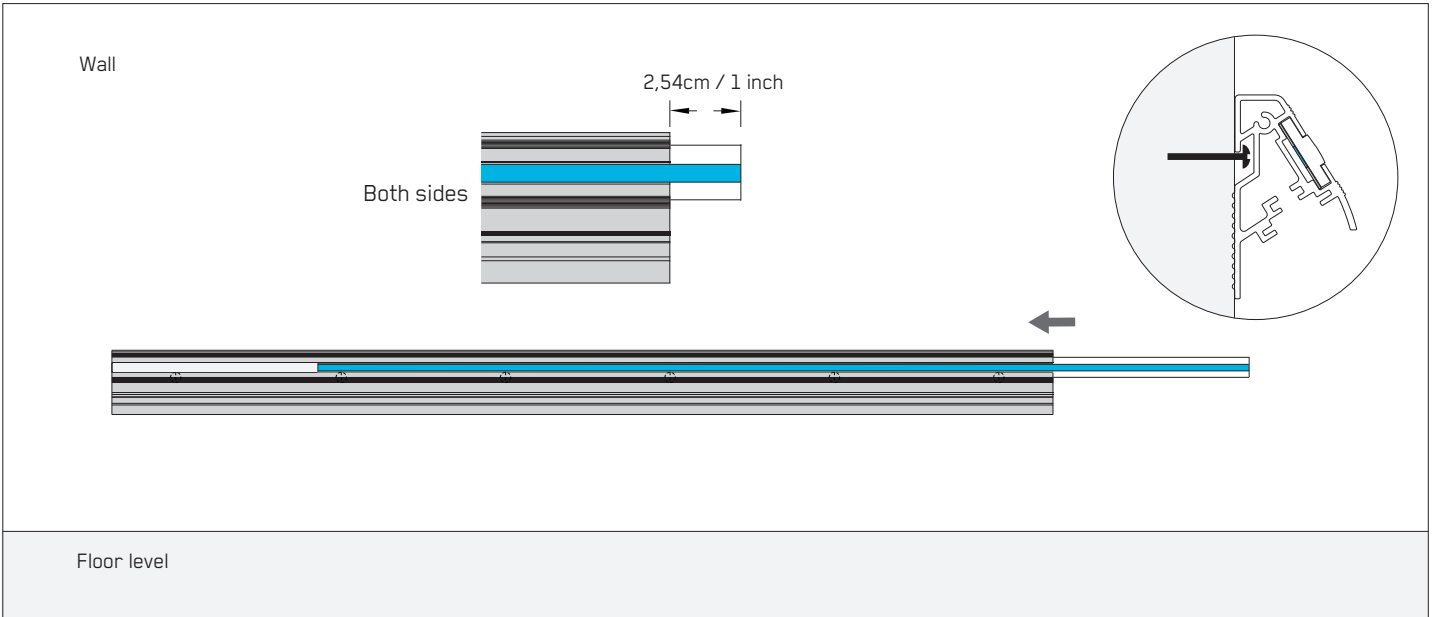
4.



Slide the clear insert on its cavity making sure the longer lip is facing upwards as shown. Cover the entire length of run leaving an additional extra inch out on both sides.

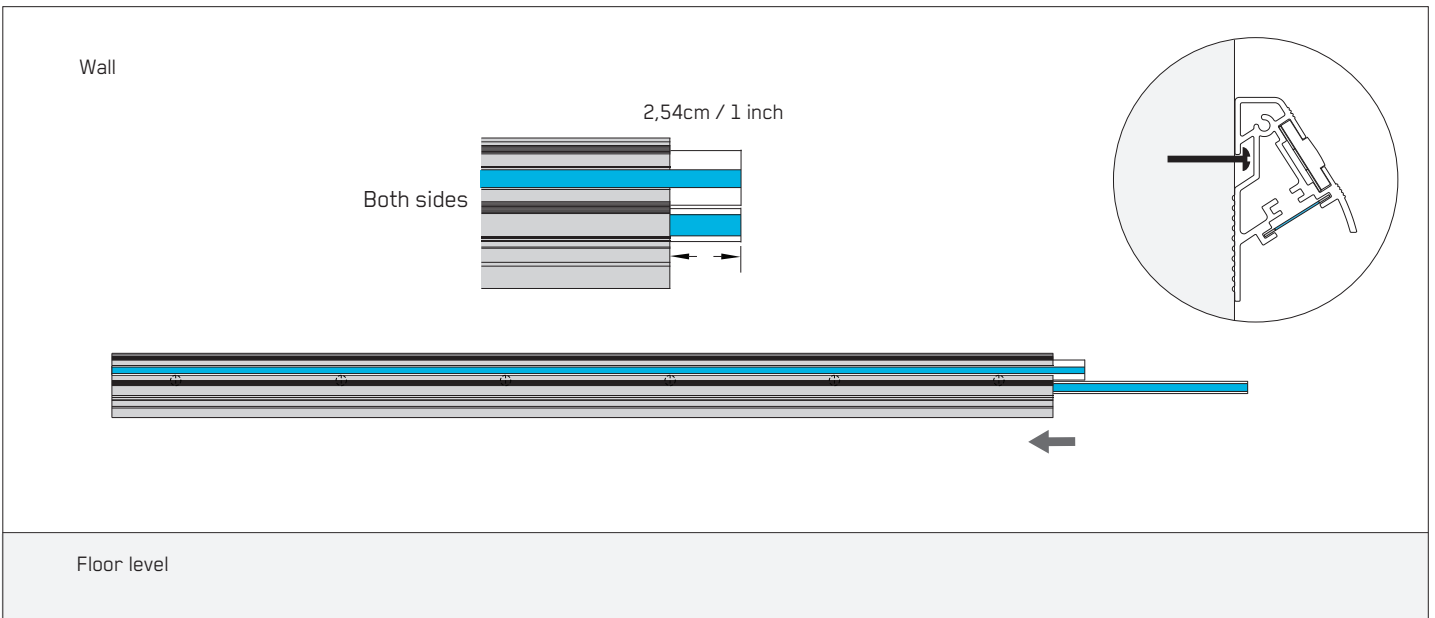
Quick Start Guide

5.



Slide the Light Tape® on its cavity. Cover the entire length of run leaving an additional extra inch out on both sides.

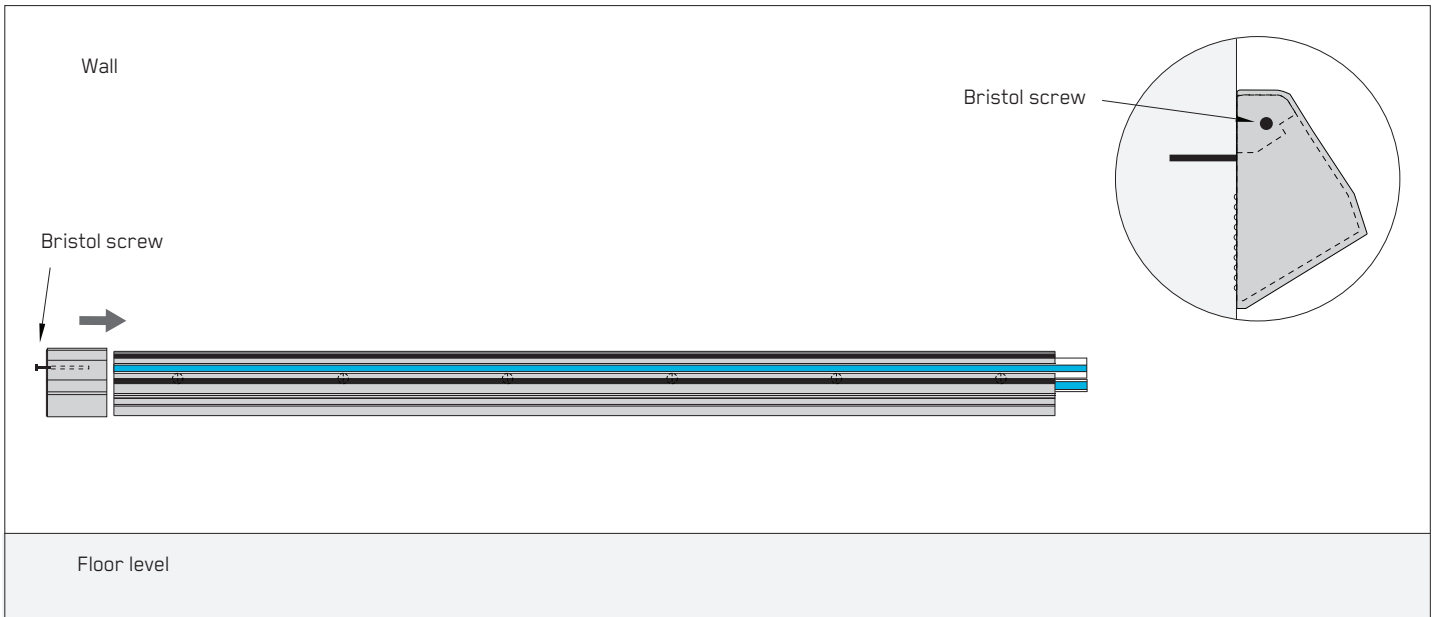
6.



Repeat process for downlight. Cover the entire length of run leaving an additional extra inch out on both sides. Downlight does not use clear protection insert

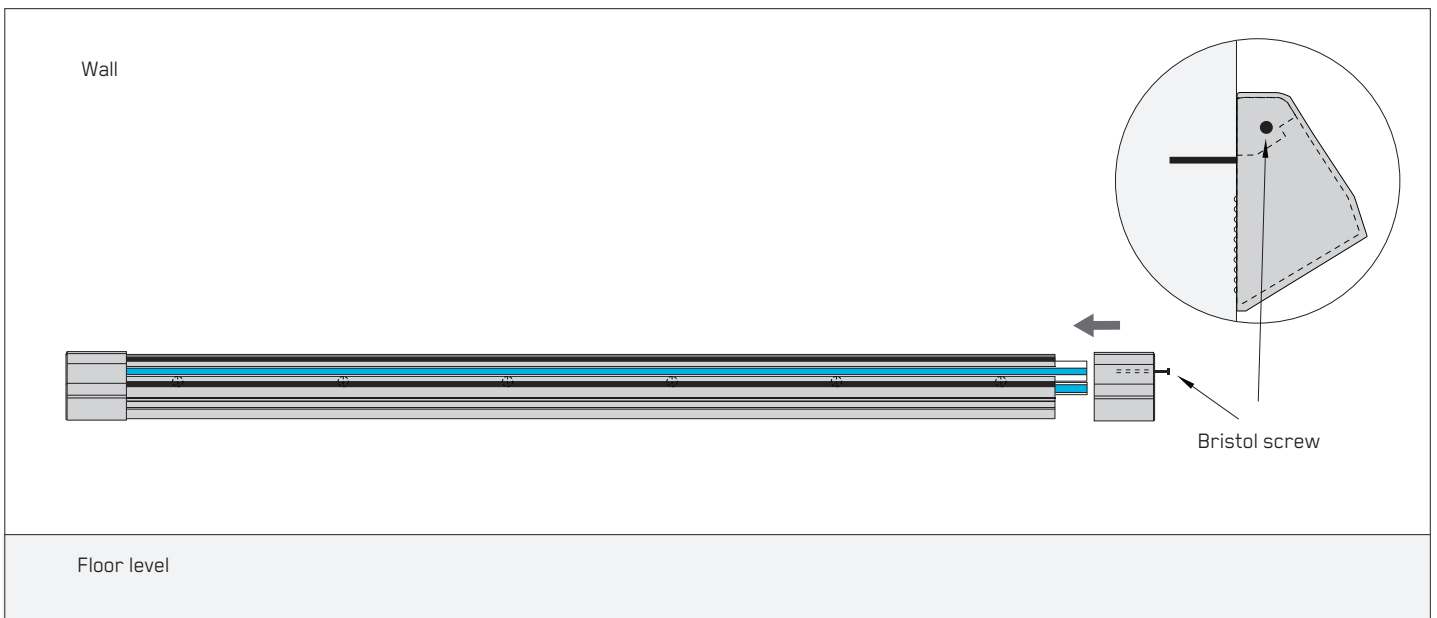
Quick Start Guide

7.



Place the end cap opposite to connection point by sliding it against the profile. Secure with provided bristol screw.

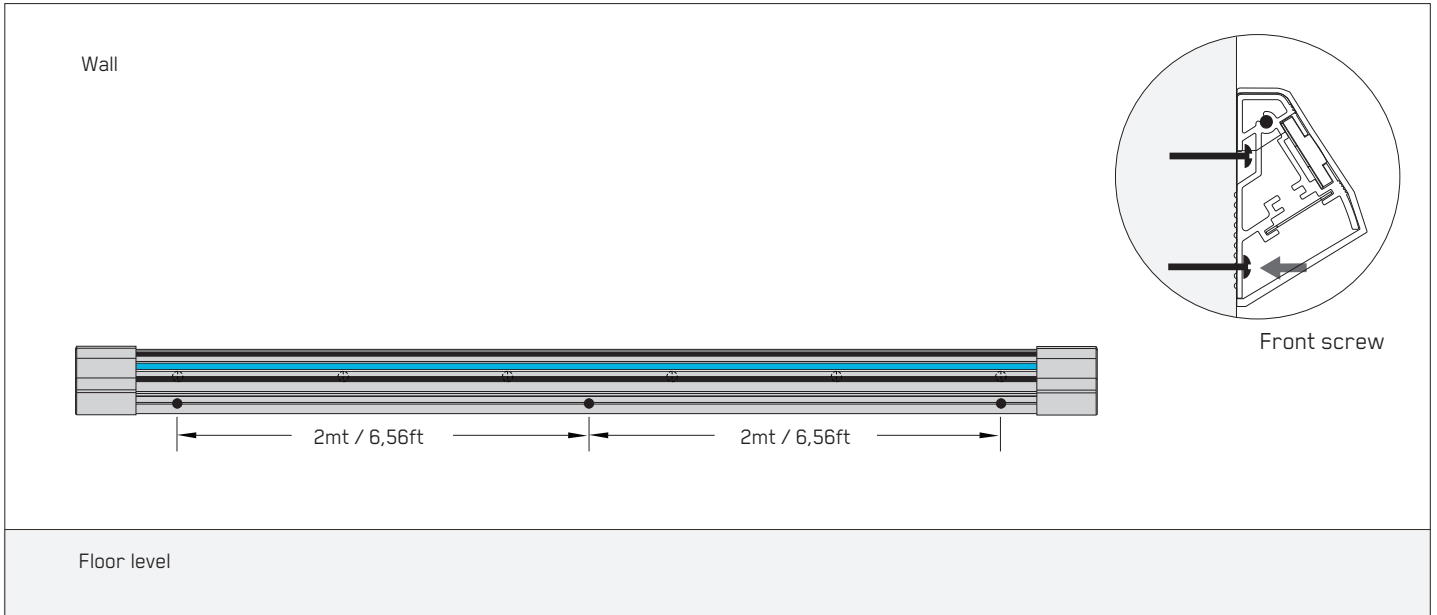
8.



Repeat process on connection point by sliding it end cap against the profile. Be careful with the wires and connector before securing it with provided bristol screw.

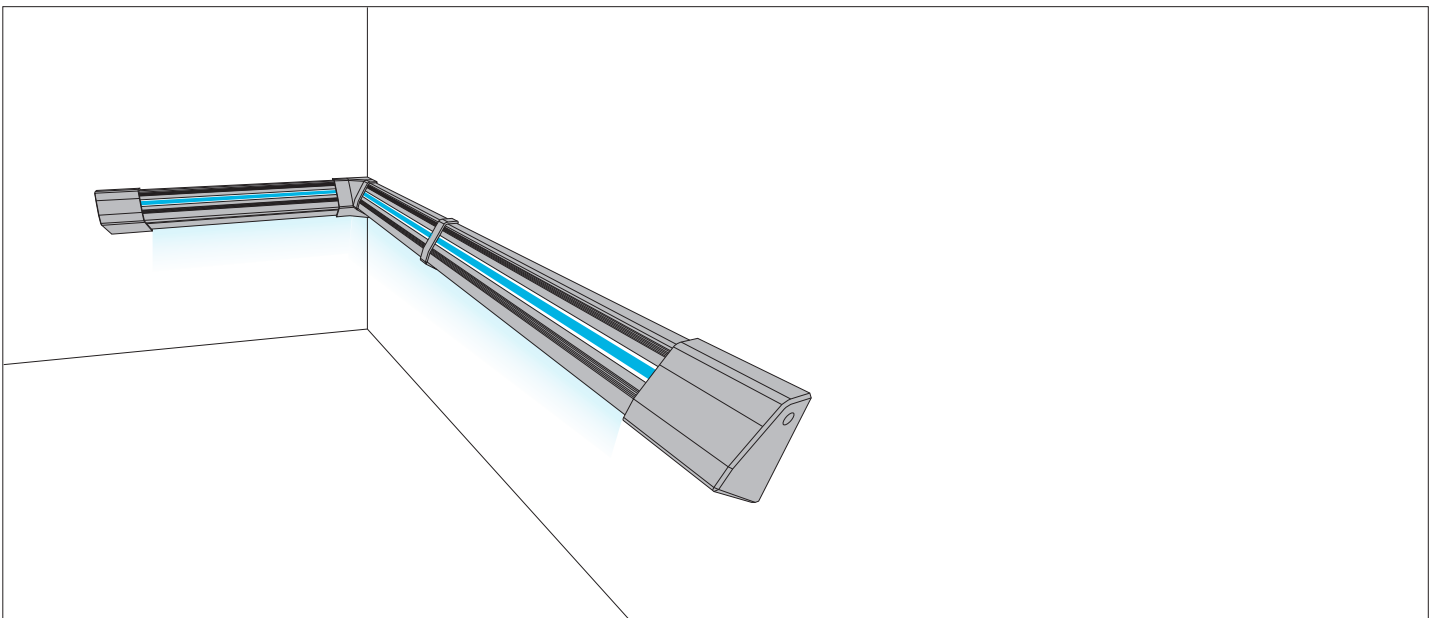
Quick Start Guide

9.



Once system is checked and working, finish the mounting drilling the front screws at least every 2m / 6,56ft from each other.

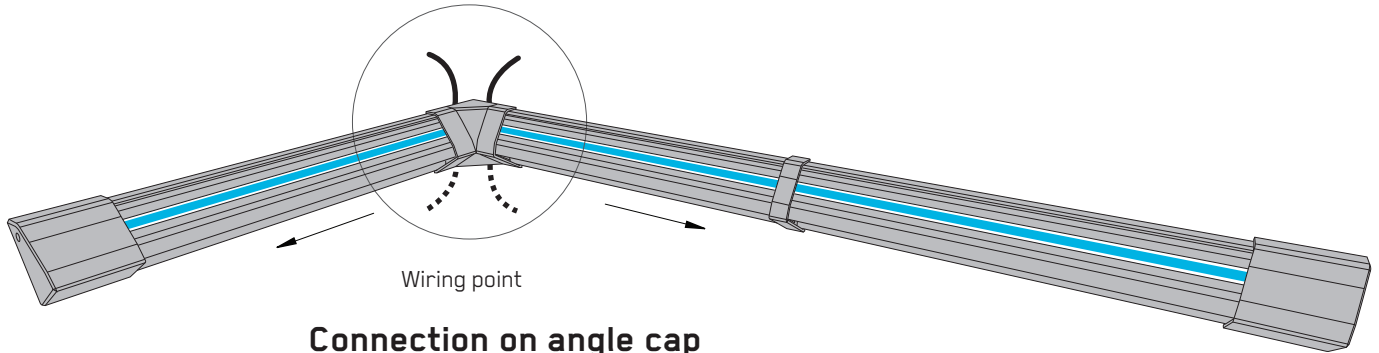
10.



If using angles, repeat process from steps 1 - 9. Placing join caps and angle caps is further explained on this guide.

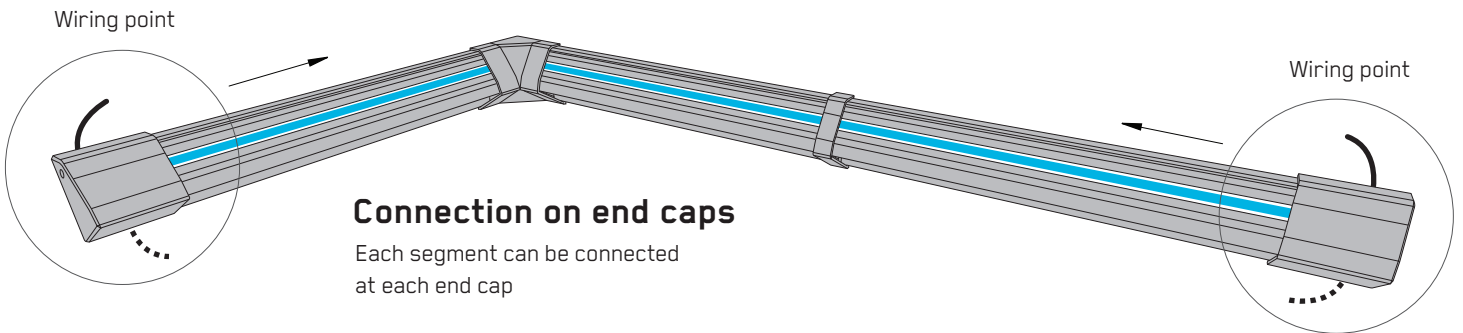
Wiring options for two segments with 90° angle

Light Tape® Top Connector ————
 Light Tape® Bottom Connector ······



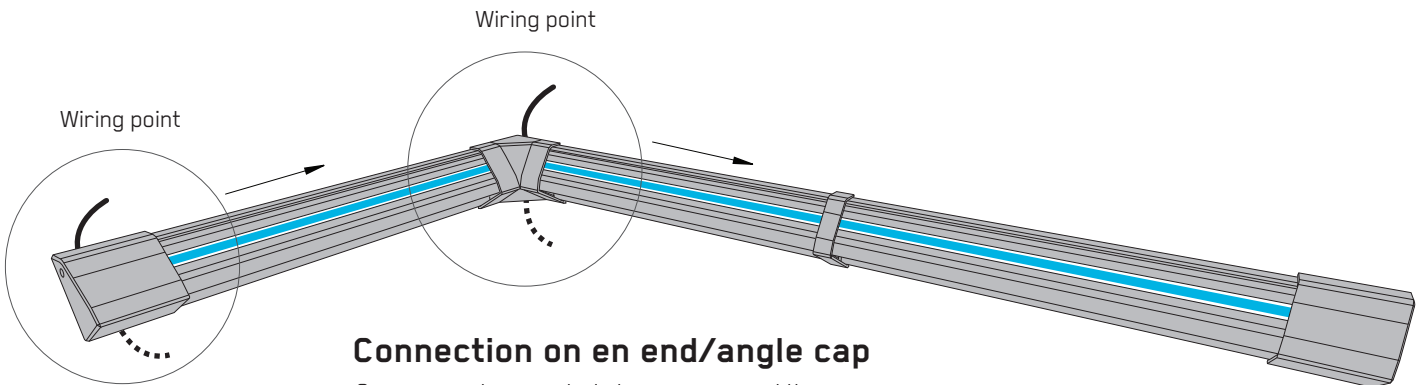
Connection on angle cap

All connections can be located at the angle cap



Connection on end caps

Each segment can be connected at each end cap



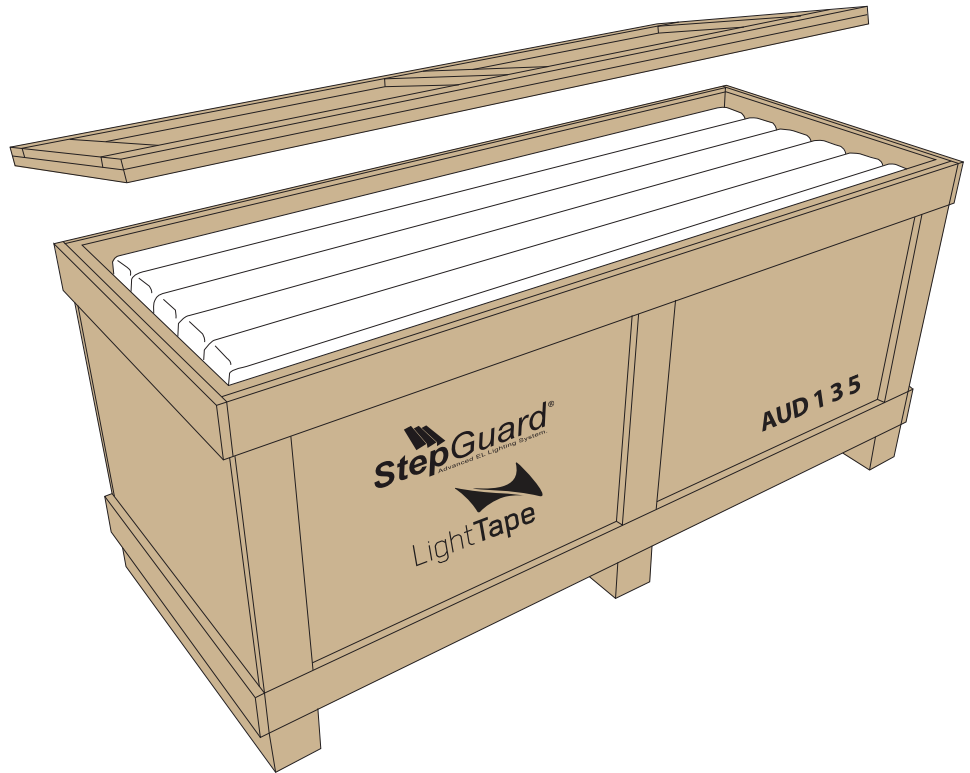
Connection on an end/angle cap

One segment connected at one end cap and the other at the angle cap

Export Packing

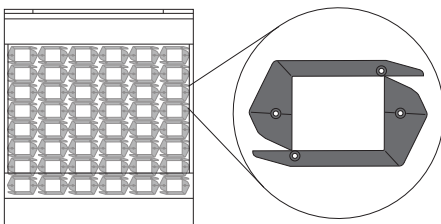
Features

- Sturdy Palletized Wooden Crate made of Certified Wood as per International Standard for Phytosanitary Measures (ISPM15 or NIMF15).
- Sealed with screws and secured with plastic bands and two security labels with consecutive numbering or code.
- Every box is stenciled with logos and description of content.
- Interior of crate is protected with kraft paper and bubble wrap for extra protection.
- Every Box is made to size according to customer's order.



Packing Unit

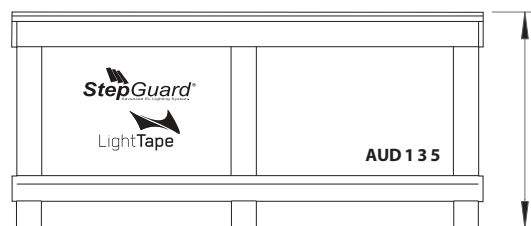
Units are packed in pairs (as per detail). Box includes also Smart Drivers and spares if requested.



Packing unit
(6 x 10 cms)

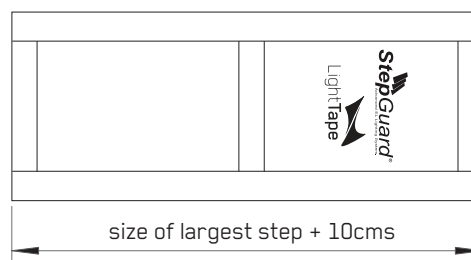
Box Dimensions

Height (front view)

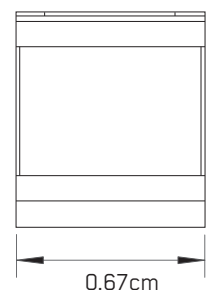


Height of box is calculated by taking the quantity of steps, divided by 12 which is the maximum quantity per row (six pairs). Then adding 6 cms to packing unit and 14cms for the skids and box wall.

Length (top view)



Depth (side view)



StepGuard Cleaning & Maintenance Information

For external parts of StepGuard™ fixtures

- 4 ABS End Caps**
All end caps must be properly secured to profiles with the screws. Missing, loose or broken end caps should be replaced immediately.
- 5 Bristol Screws (on end caps)**
Both screws should be secured on each end cap. Missing screws or with signs of rust should be replaced immediately
- 6 Light Tape™**
Make sure Light Tape™ lights evenly on its entire length. Lights should not twinkle or blink while on. Light Tape™ should be replaced if signs of humidity, or stains are shown. Please contact Technical Department for more information.
- 7 Wiring**
Inspect that no wires are hanging below fixture. All wiring should be hidden and secure underneath the extrusion.

General Cleaning

A regular cleaning should be performed to prevent the build up of dirt and grease, which could compromise the anti-slip properties and the general appearance of the fixture.

Avoid the use of cleaners containing hydrocarbons, bleach or citrus based agents to clean the StepGuard™ fixtures. You should also avoid the use of steam cleaners, power washers or floor sealants to clean the inserts or end caps.

FOR DAILY CLEANING

Brush down the entire fixture using a soft bristled brush and clean the insert and anti-slip using a damp cloth. Do not soak around the caps or connection or wiring areas.

Aluminum profiles

If heavier marks or sticky stains are seen, clean them using a damp cloth with aluminium safe detergent. Light surface scratches on paint can be removed using a fine wire wool and buffed with a soft cloth. Make sure as much water or cleaning solution is removed as possible.

ABS End Caps / PVC Clear inserts

Only soap and water should be used during ABS cleaning as the use of other chemicals such as chlorides, ketones and degreasers accelerates aging and give them a yellowish color. The cleaning should be done with with a soft cloth or paper. Allow the system to be completely dry.

If you have any doubts or questions regarding product maintenance, please contact our Technical Department at:

Electro-LuminX Lighting Corporation

1320 North Arthur Ashe Boulevard	1.804.355.1692
Richmond, Virginia 23230	+44.7860.967410 GMT
	thelighttapeteam@lighttape.com



StepGuard[®]
Advanced EL Lighting System.

designed for

LightTape[®]

Electro-Luminix Lighting Corporation

1320 North Arthur Ashe Boulevard
Richmond, Virginia 23230

1.804.355.1692
thelighttapeteam@lighttape.com