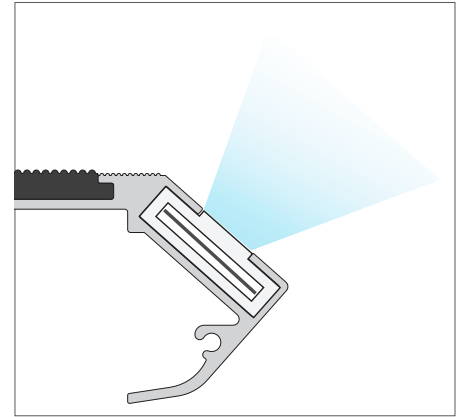
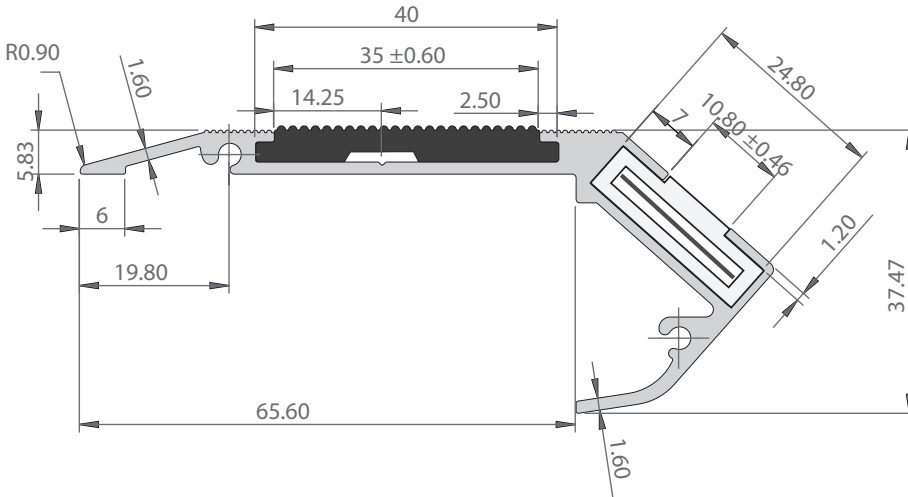


General dimensions and configurations

* All measurements in mm

StepGuard™ 30



Aluminum extrusion available up to 4 meter length. Pre-cut and assembled according to specification.

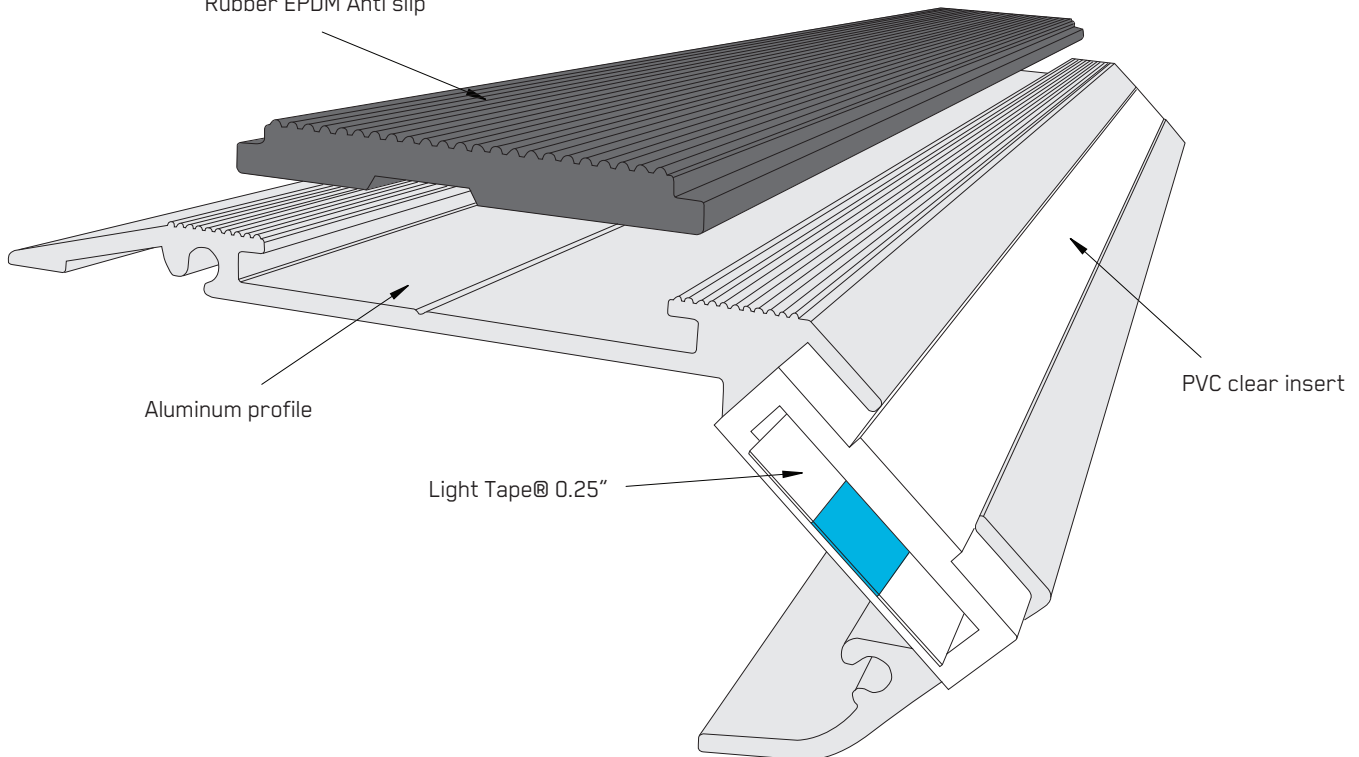
For use only with 0.25" Light Tape® on a 30 degree angle on front.



Available Colors



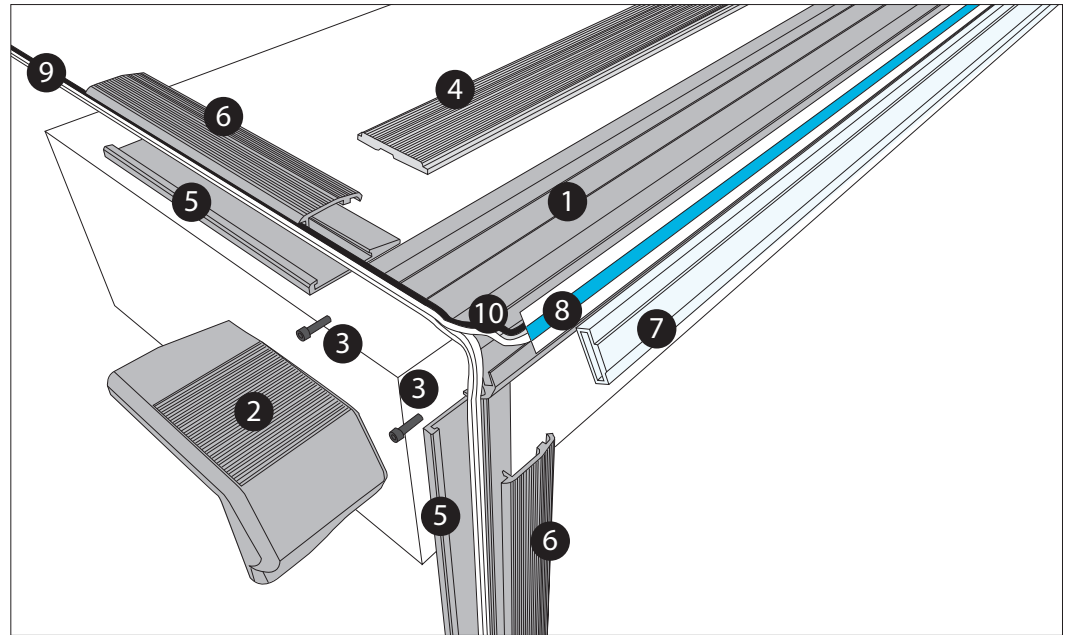
Rubber EPDM Anti slip



System Configuration for surface wiring (StepGuard™ 30/45)

Part description

- 1 Aluminum profile
- 2 Ebonite End Cap
- 3 Mounting screws
- 4 EPDM Rubber Anti-slip
- 5 Wireway base
- 6 Wireway cover
- 7 PVC Insert
- 8 Light Tape®
- 9 Main wire
- 10 Conector



Wiring installation with individual junction boxes

