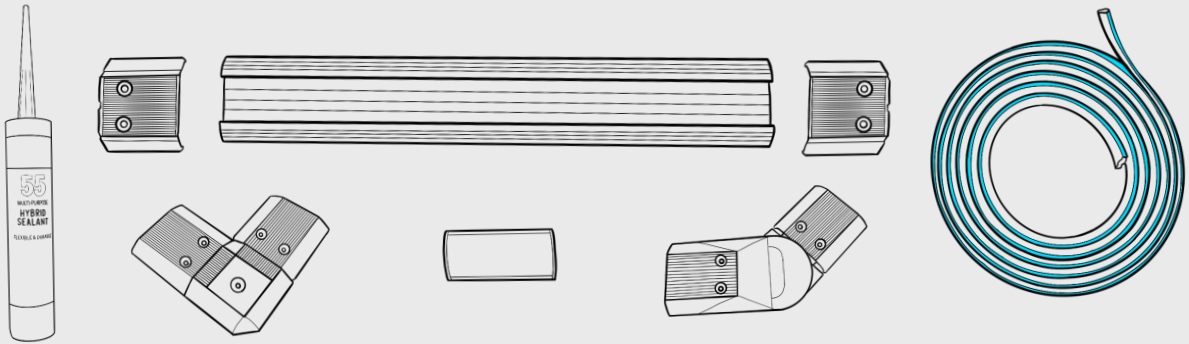


StepGuard™ Aisle Install Instructions

IMPORTANT: Do NOT kick, bend, or step on the Light Tape coil. Roll out and test the Light Tape when it's time to install, NOT before.

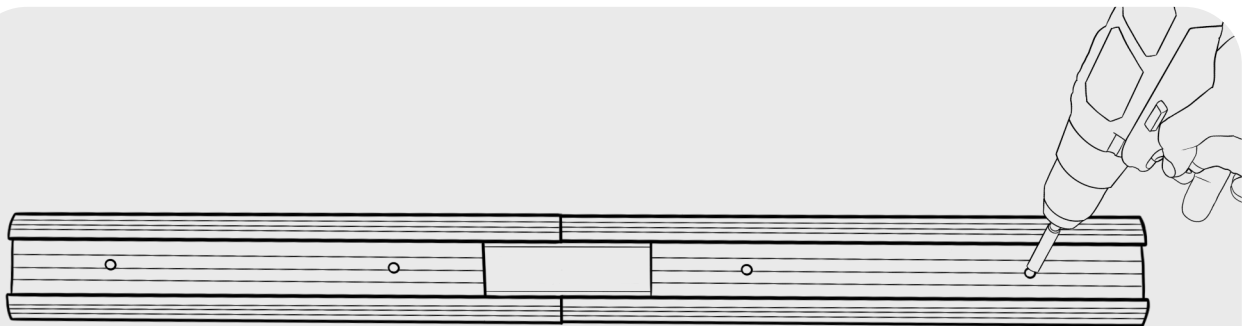
1

Materials

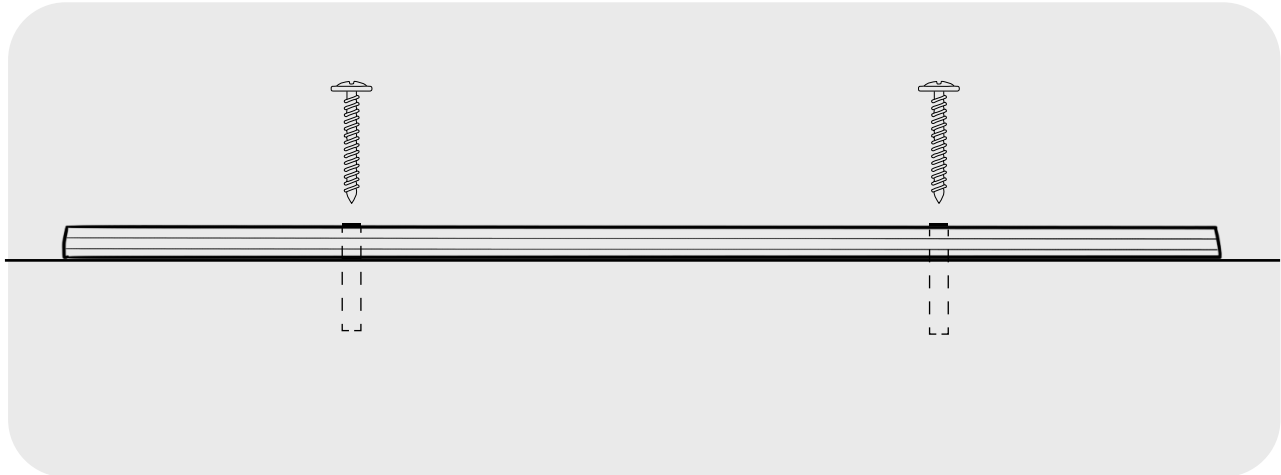


- Base channel for floor
- Plastic coil with Light Tape® inside
- End caps (standard, 90°, or variable angle)
- Small sections of rubber insert to align base channel
- Elastomeric polymer; flexible and waterproof sealant

2



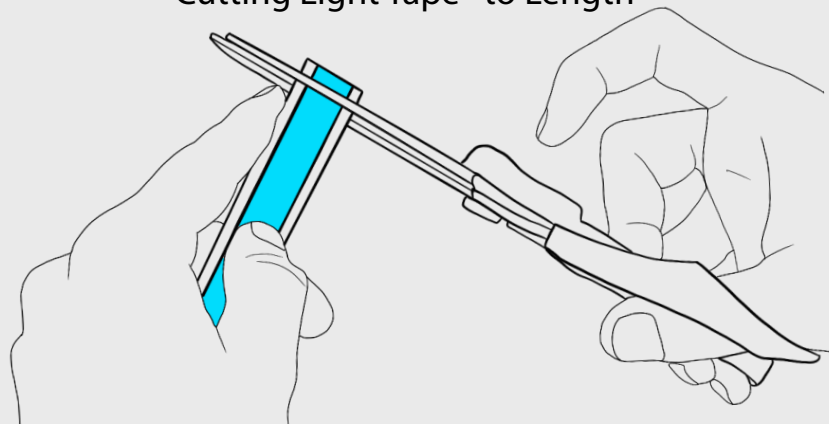
Place small coil blanks between each section to align the base channel. Drill quarter-inch pilot holes roughly every 18 inches. Remove the blanks before placing the Light Tape insert.

3

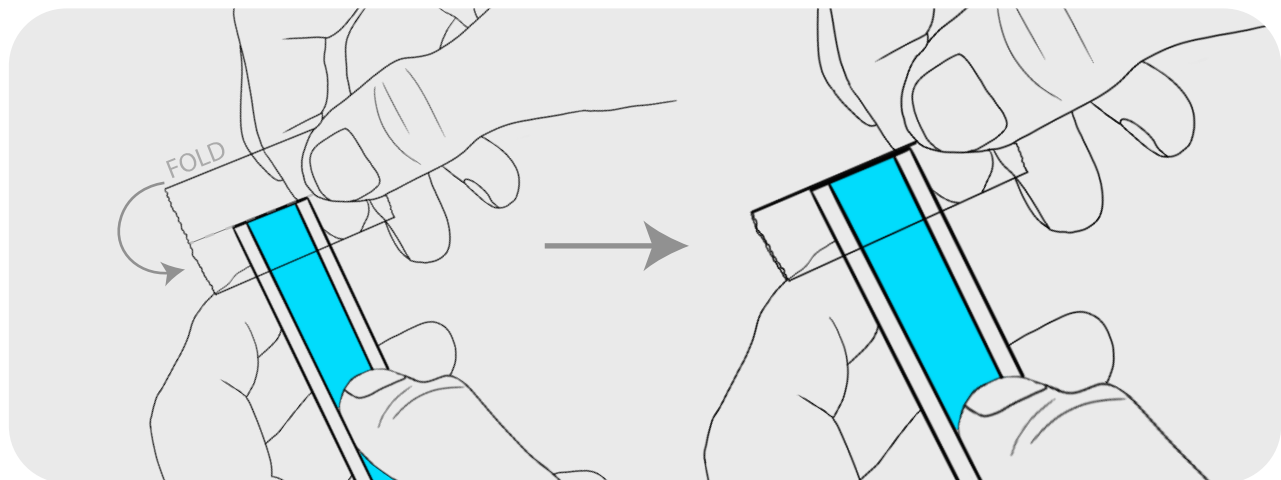
Sink 1¼ inch anchors or use glue to hold in place.

4

Cutting Light Tape® to Length

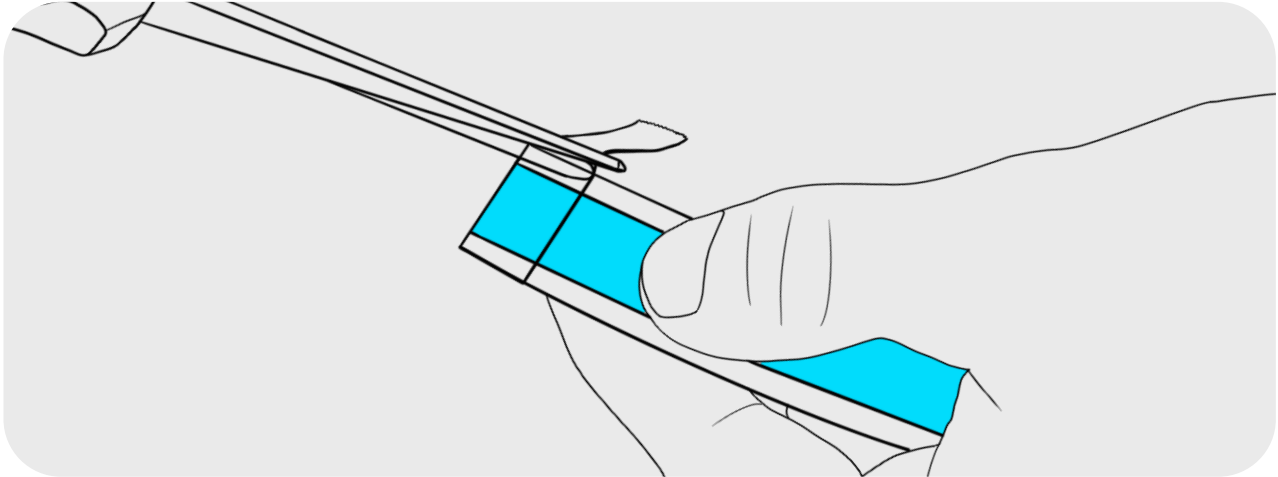


Remove the Light Tape® strip from the insert and cut both to your desired length using scissors.

5

Place end-seal tape on the cut end of the Light Tape® strip and fold over, sandwiching the Light Tape® between the folds.

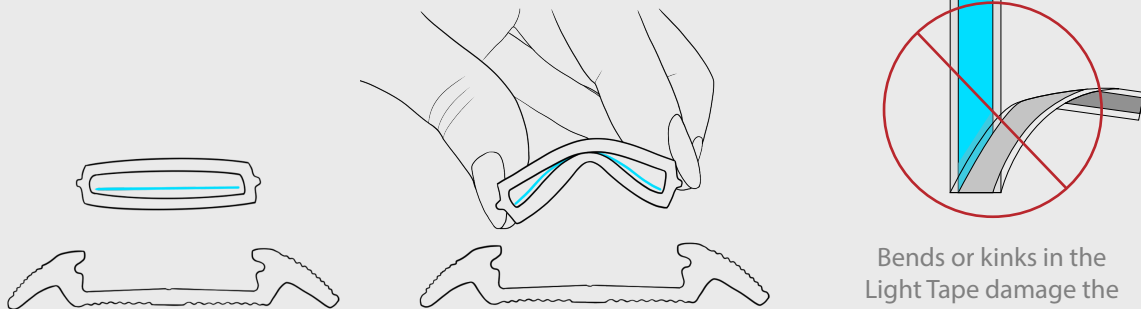
6



Cut the excess tape flush to the Light Tape® strip and re-insert into the insert.

7

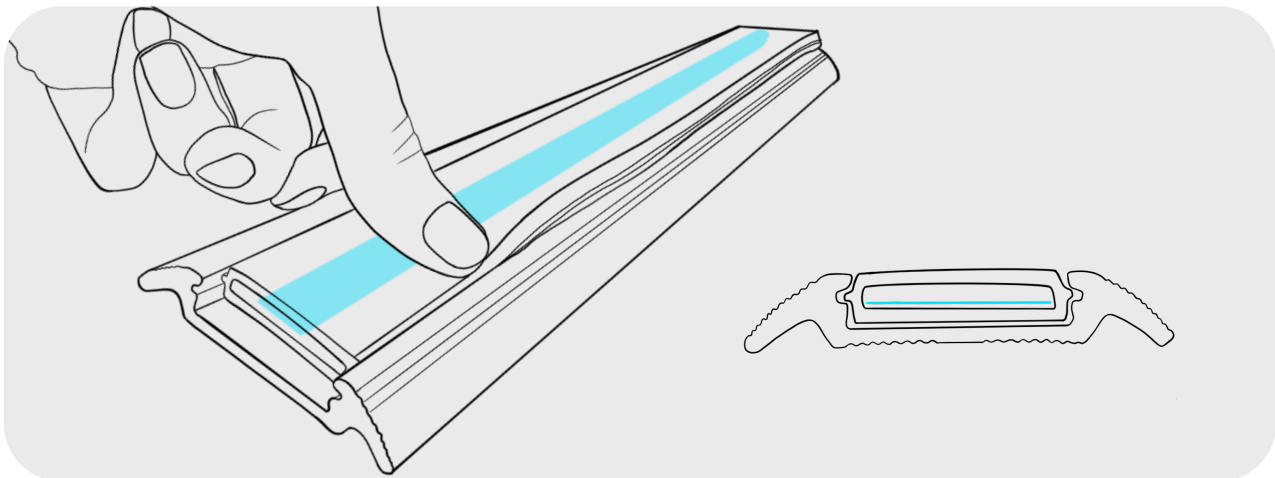
Prepare the Light Tape for installation



Bends or kinks in the Light Tape damage the electrodes.

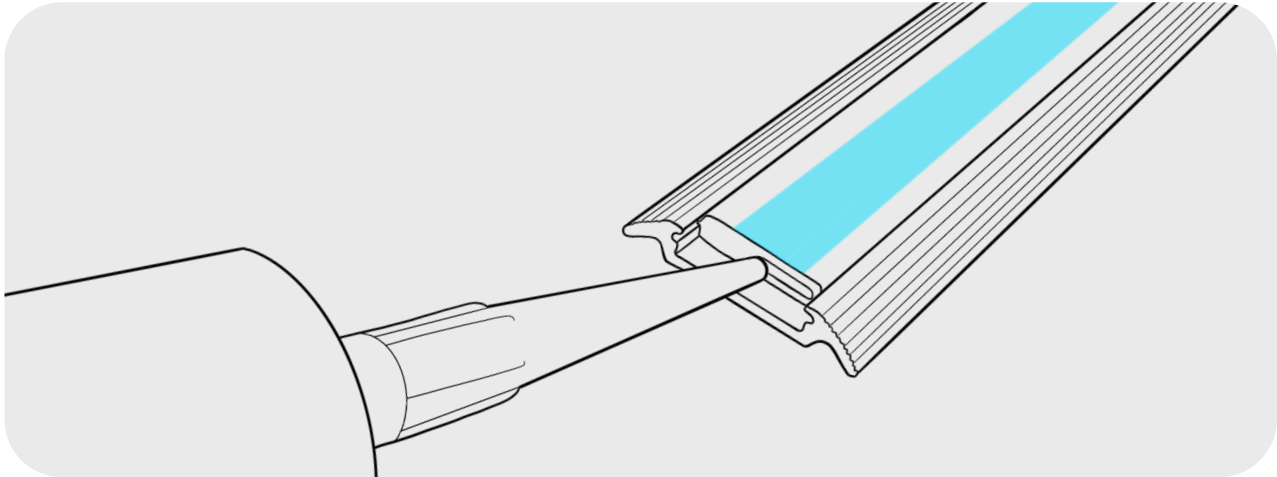
Roll out the Light Tape® coil on top of the base. Do NOT pull on the connected wires and handle with care. **Do NOT step on or bend the coil.**

8



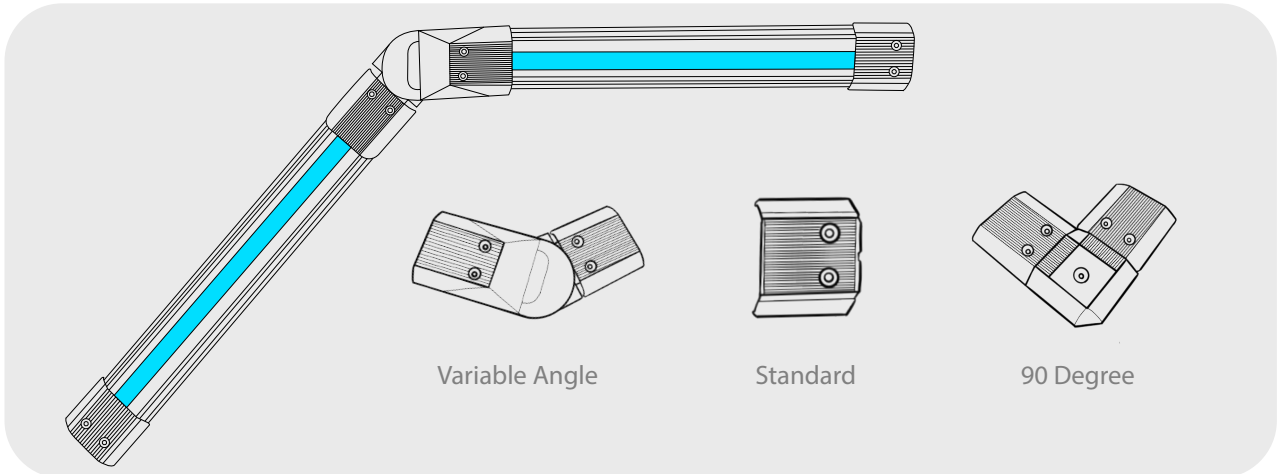
Work in rubber insert with thumb and finger to fit into the track. Rubber insert will fit flush in channel.

9

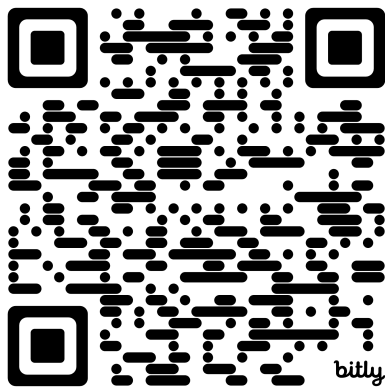


Seal the ends when insert is in channel using a waterproof sealant like ASI 55 Multi-Purpose Hybrid Sealant.

10



Install the necessary end caps to secure in place.



Scan the QR code for an in-depth video tutorial on StepGuard Aisle installations